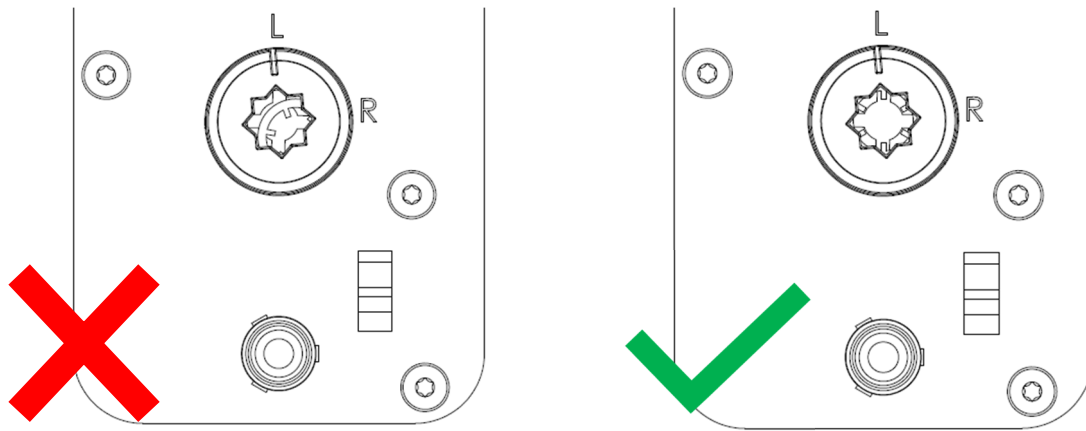


SAFFIRE LX DIN INSTALLATION ADDENDUM

Before the spindle installation

Make sure before spindle installation in front lock housing that the clip alignment is good. If it is not, use a small tool to re-center it. If clip is well centered, proceed with spindle installation.



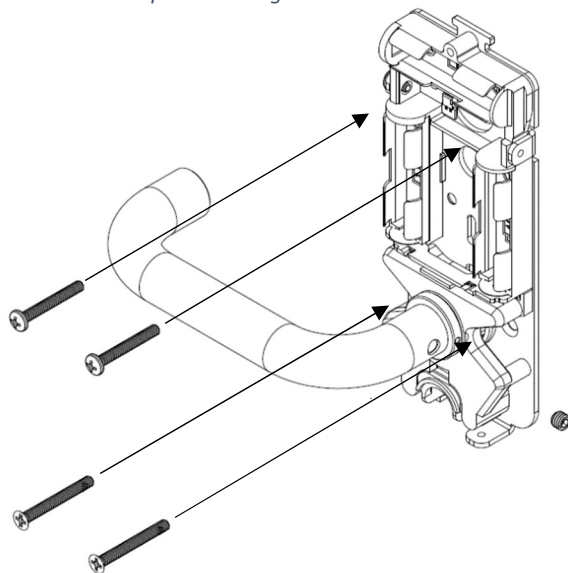
Spindle installation

IMPORTANT: Insert spindle in front lock housing until it clicks. Pull on it to make sure it is well attached.

Inside lever handle Set screws

IMPORTANT: Make sure to fully tighten mounting screws before tightening inside lever set screw.

Step 1 Mounting screw installation



Step 2 Set screw installation

