



# Exit Device Operators

## Saffire LX

### Installation instructions

PK3713-T - 2019 - 07

# SAFFIRE LX MATCH-UP CHART

ADAPTER PLATE PART NUMBER	SECONDARY BACKPLATE	DRILLING TEMPLATE NUMBER	SVR DRILLING TEMPLATE NUMBER	MANUFACTURER OF EXIT DEVICE	EXIT DEVICE MODEL NUMBER
041-515933-1XXX	-	DT-516418-1	DT-516418-15	DETEX	SURFACE
	-	DT-516418-2	DT-516418-15	DORMA	SURFACE
	-	DT-516418-1	DT-516418-15	VON DUPRIN	SURFACE
	-	DT-516418-1	DT-516418-15	PRECISION	SURFACE
041-515933-1HXXX	-	DT-516418-1	-	DETEX	RIM
	-	DT-516418-1	-	DORMA	RIM
	-	DT-516418-2	-	VON DUPRIN	RIM
	-	DT-516418-1	-	PRECISION	RIM
041-515933-2HXXX	041-515972	DT-516418-3	-	VON DUPRIN	MORTISE
	-	DT-516418-4	DT-516418-15	ARROW	SURFACE
	-	DT-516418-4	-	ARROW	RIM
	-	DT-516418-5	DT-516418-15	YALE	SURFACE
041-515933-4XXX	-	DT-516418-5	DT-516418-15	CORBIN RUSSWIN	SURFACE
	-	DT-516418-6	DT-516418-15	HAGAR	SURFACE
	-	DT-516418-5	-	CORBIN RUSSWIN	RIM
	-	DT-516418-6	-	HAGAR	RIM
041-515933-5XXX	-	DT-516418-5	-	YALE	RIM
	041-515972	DT-516418-7	DT-516418-15	ARROW (OLD CHASSIS)	SURFACE
	041-515972	DT-516418-7	-	ARROW (OLD CHASSIS)	RIM
	041-515972	DT-516418-7	-	ARROW (NEW CHASSIS)	MORTISE
041-515933-7HXXX	041-515972	DT-516418-8	-	YALE	CONCEALED
	041-515972	DT-516418-9	-	DORMA	CONCEALED
	041-515972	DT-516418-10	-	VON DUPRIN	CONCEALED
	041-515972	DT-516418-11	-	DETEX	RIM
041-515933-10XXX	-	DT-516418-12	DT-516418-15	SARGENT	SURFACE
	-	DT-516418-13	-	MONARCH	RIM
	041-515972	DT-516418-14	-	DORMA	MORTISE
	-	DT-516418-14	DT-516418-15	DORMA	SURFACE
041-515933-13LXXX	-	DT-516418-16	DT-516418-15	DORMA	RIM
	-	DT-516418-16	-	DORMA	RIM
	-	DT-516418-16	-	DORMA	RIM
	-	DT-516418-16	-	DORMA	RIM
041-515933-13HRXXX	-	DT-516418-17	DT-516418-15	PHI/RELIANT	SURFACE
	-	DT-516418-17	DT-516418-15	VON DUPRIN	SURFACE
	-	DT-516418-17	-	PHI/RELIANT	RIM
	-	DT-516418-17	-	VON DUPRIN	RIM
041-515933-14	-	-	-	-	
041-515933-14H	-	-	-	-	



# Table of Contents

03	1. Introduction and disclaimers	11	4.7. Connect cables & Install Enclosure (SVR ONLY)
03	2. Recommended Tools		
04	3. Components	12	4.8. Install Outside Lever Handle
06	4. Installation Steps	12	4.9. Test Lock Functionality
06	4.1. Install Key Cylinder		
07	4.2. Install Mounting Option		
08	4.3. Install the Lock Spindle		
09	4.4. Install the Lock Housing on the Door		
10	4.5. Install Exit Device		
10	4.6. Connect cables & Install Enclosure		

Model: Saffire LX

Caution: Changes or modifications to this equipment not expressly approved by the party responsible for compliance could void the user's authority to operate the equipment.

This device complies with part 15 of the FCC Rules. Operation is subject to the following two conditions: (1) This device may not cause harmful interference, and (2) this device must accept any interference received, including interference that may cause undesired operation. This device complies with Industry Canada's license-exempt RSSs. Operation is subject to the following two conditions: (1) This device may not cause interference; and (2) This device must accept any interference, including interference that may cause undesired operation of the device.

Le présent appareil est conforme aux CNR d'Industrie Canada applicables aux appareils radio exempts de licence. L'exploitation est autorisée aux deux conditions suivantes : (1) l'appareil ne doit pas produire de brouillage, et (2) l'utilisateur de l'appareil doit accepter tout brouillage radioélectrique subi, même si le brouillage est susceptible d'en compromettre le fonctionnement.

Made in Canada

©2018 dormakaba Canada Inc. All trademarks and registered trademarks are the property of their respective owners.

# 1 Introduction and disclaimers

Caution: Please read and follow all directions carefully. Wear safety glasses when making the holes.

Target Audience: These instructions are designed for use by maintenance professionals or lock installers who are familiar with common safety practices and competent to perform the steps described. dormakaba is not responsible for damage or malfunction due to incorrect installation however arising.

Important: Carefully inspect windows, doorframe, door, etc. to ensure that the recommended procedures will not cause damage. dormakaba standard warranty does not cover damages caused by installation.

Respect applicable building codes regarding handle height.

## Technical Assistance

For technical assistance, call:

1.877.468.3555 / +1.514.735 5410

1.800.999.6213 / +1.248.837.3700

## Definition of Terms:

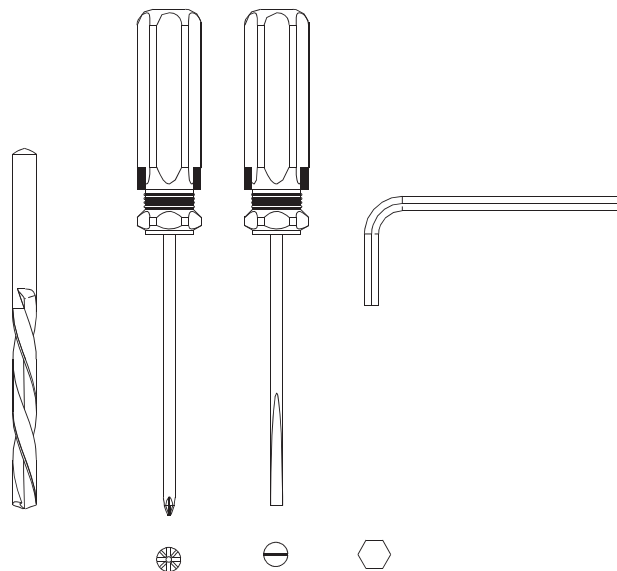
MKO refers to Mechanical Key Override

EO refers to Electronic Override

SVR refers to Surface Vertical Rods

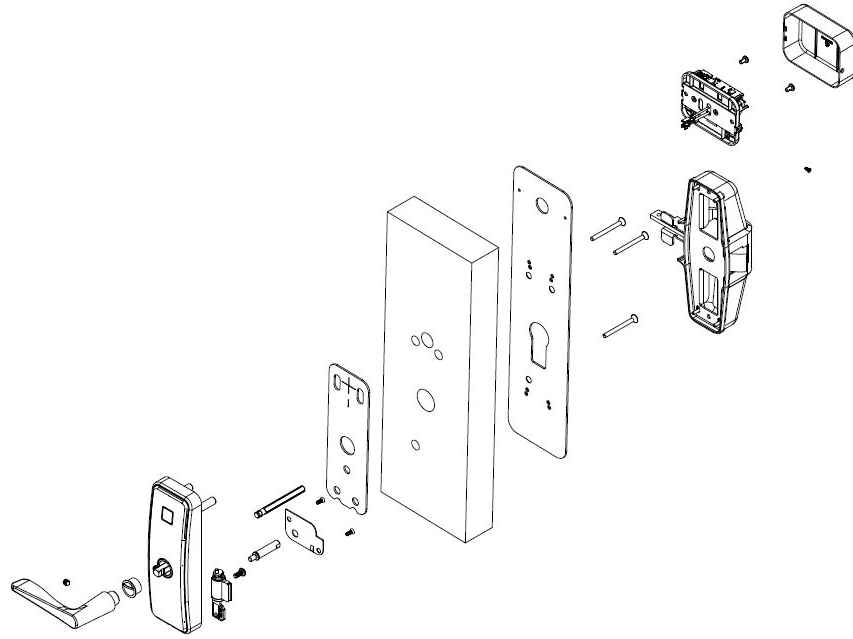
# 2 Recommended Tools (not included)

- Drill bits: 1/4" / 5/16" / 1/2" / 3/4" / 1-1/8"
- Phillips screwdriver (#2)
- Small flat screwdriver
- Hexagonal key 3mm / 1/8" (Allen Key)

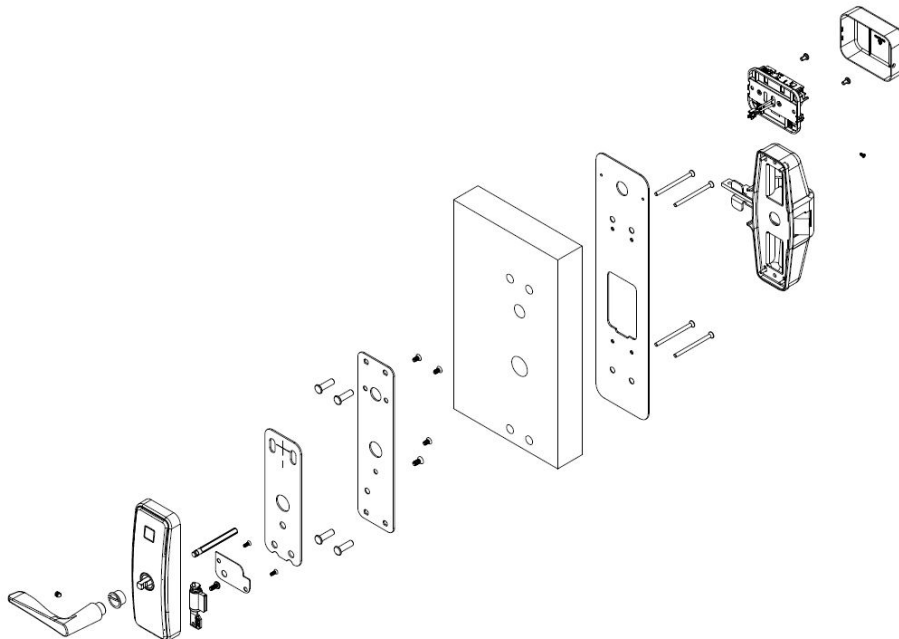


# 3 Components

Standard mounting

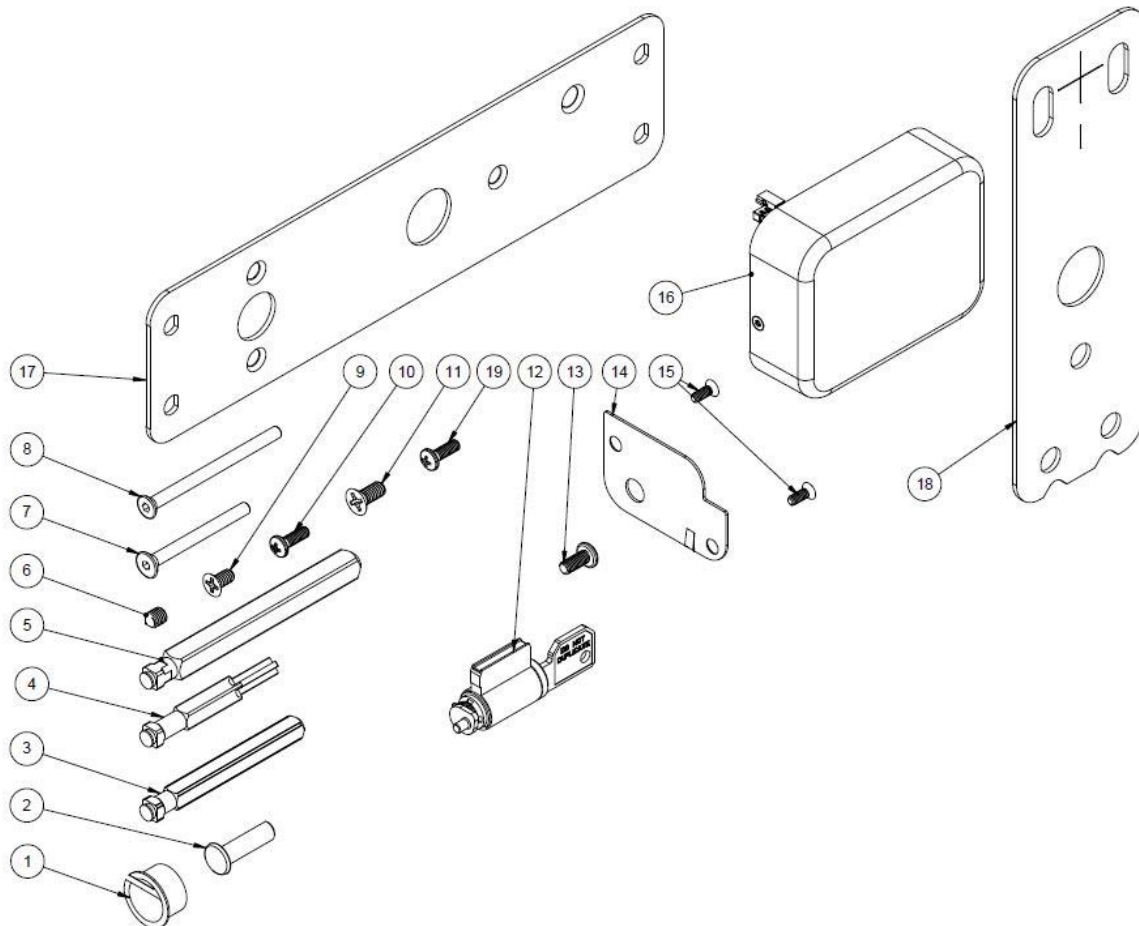


Secondary back plate mounting



### 3 Components

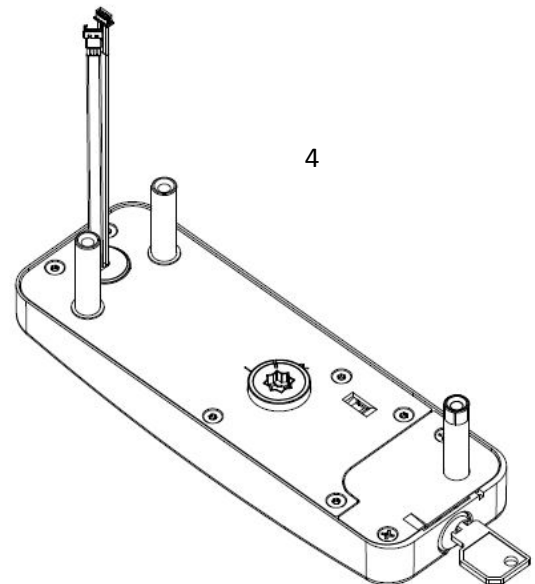
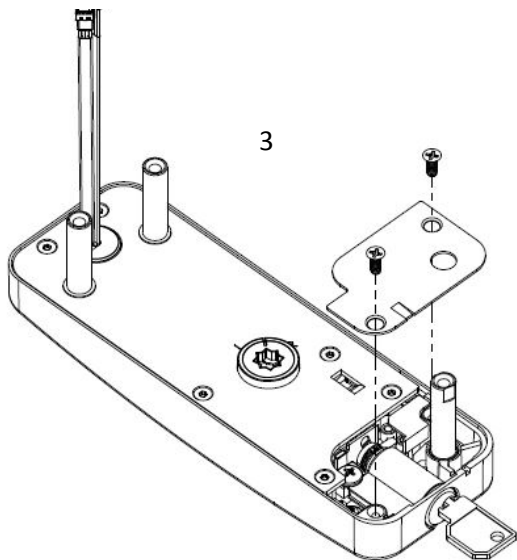
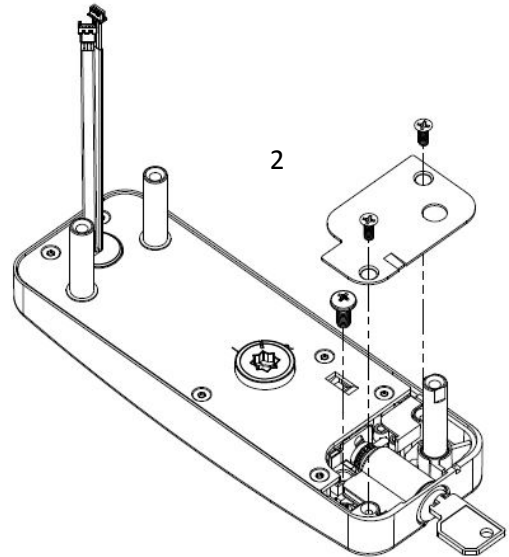
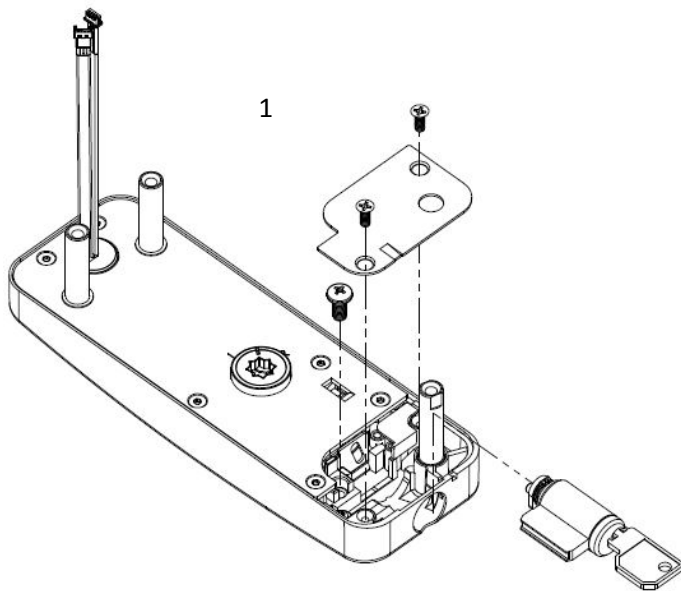
Possible hardware included with lock			
ITEM NO.	PART NUMBER	DESCRIPTION	QTY.
1	017-515483	OUTSIDE BUSHING	1
2	999-511404	BINDING BARREL 10-24	4
3	020-515480-9/10	SPINDLE LATCH EXIT DEVICE ARROW S1808/S3808; S1708/S3708; S1908/S3908; S3788	1
4	020-516459-1/2/3/4/5/6/7/8/9	SPINDLE LATCH EXIT DEVICE STANDARD	1
5	020-516465	SPINDLE LATCH MORTISE DORMA/VON DUPRIN	1
6	941-514793	SET SCREW M6 x 8MM	1
7	810-512494-B	SCREW 12-24 x 1-3/8 FLAT HEAD, HEX	3
8	810-508429-6/10	SCREW 10-24 x 1-1/2 OR 1-3/4 FLAT HEAD, HEX	4
9	810-511097-1	SCREW 10-24 x 3/8 FLAT HEAD PHILLIPS NO.2	3
10	890-514713	SCREW NO.6 x 5/8 PAN HEAD PHILLIPS	2
11	810-511411	SCREW 12-24 x 1/2 FLAT HEAD PHILLIPS NO.2	1
12	118-515979	KEY & CYLINDER SAFFIRE LX	1
13	810-516437	SCREW 10-32 x 7/16 ROUND HEAD PHILLIPS NO.2	1
14	041-515465	KEY CYLINDER ACCESS PLATE	1
15	810-509093	SCREW 6-32 x 5/16 FLAT HEAD PHILLIPS NO.2	2
16	118-515937-V	BATTERY & ANTENNA ENCLOSURE	1
17	041-515972	SECONDARY BACKPLATE	1
18	033-515996-2	LOCK GASKET	1
19	810-515193	SCREW 8-32 x 1/2 PAN HEAD PHILLIPS	2



## 4 Installation Steps

### 4.1. Install key cylinder (for MKO only)

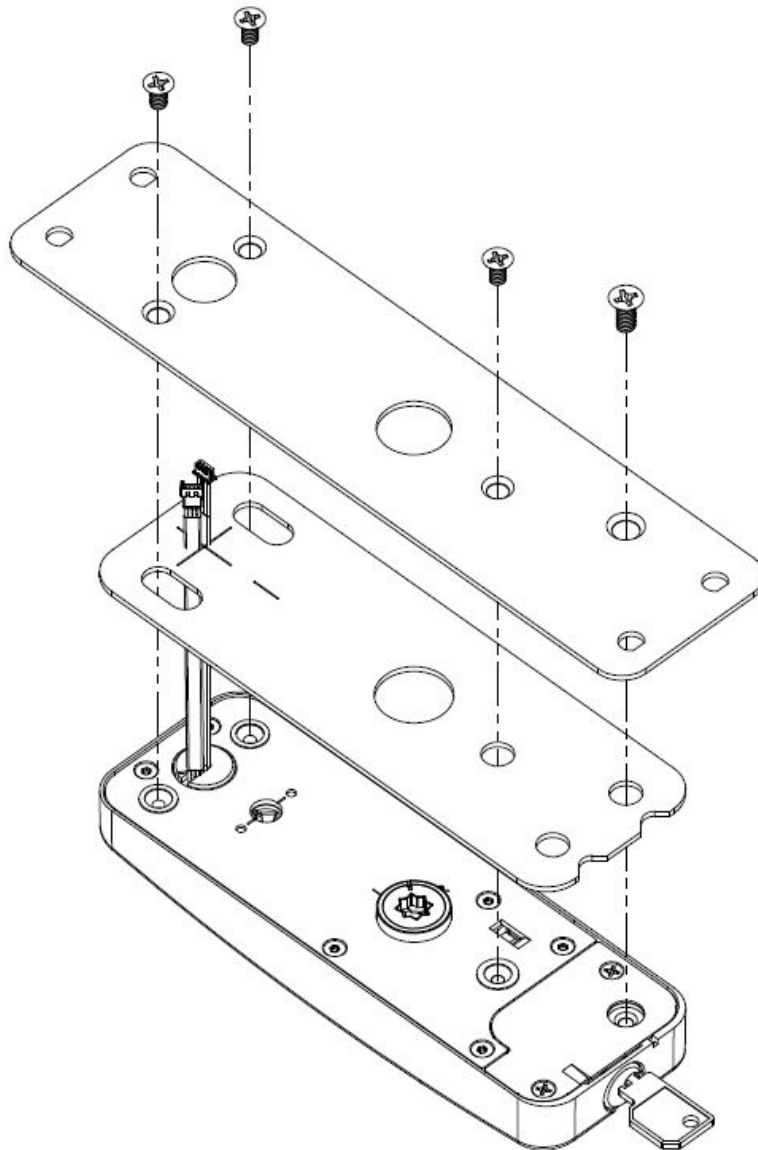
- Insert the cylinder core in the key override housing.
- Secure the cylinder core (item 13) using screw item 13.
- Secure the access plate key cylinder item 14 over the key override housing.
- Secure the access plate using two screws item 15.





## 4.2. Install mounting option (for secondary backplate mounting only)

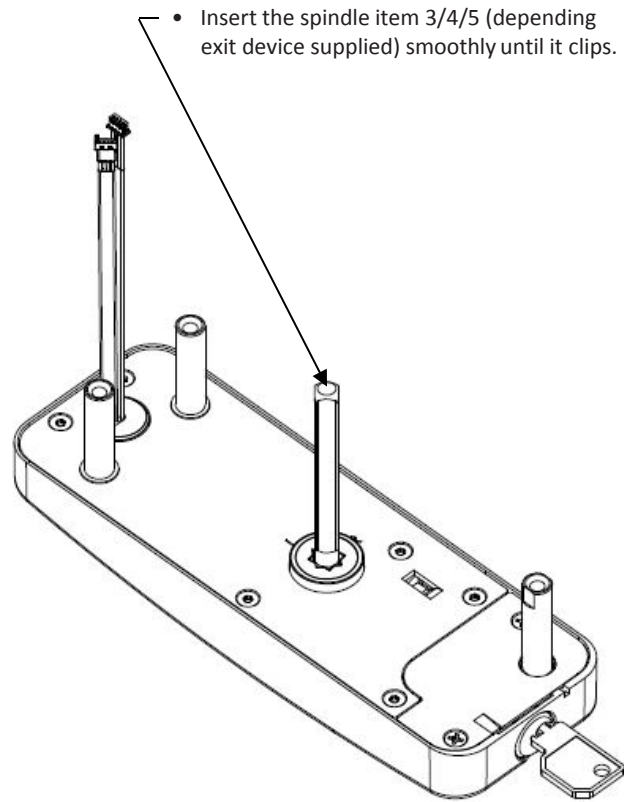
- If supplied with secondary backplate item 17, install gasket item 18 & secure secondary backplate item 17 into place using 3 screw items 9 & 1 screw item 11.



## 4 Installation Steps

### 4.3. Install the lock spindle

The spindle must be installed and properly secured in the front lock housing assembly. The spindle is used to connect the handle to operate the opening and closing door mechanism.



## 4.4. Install the lock housing on the door

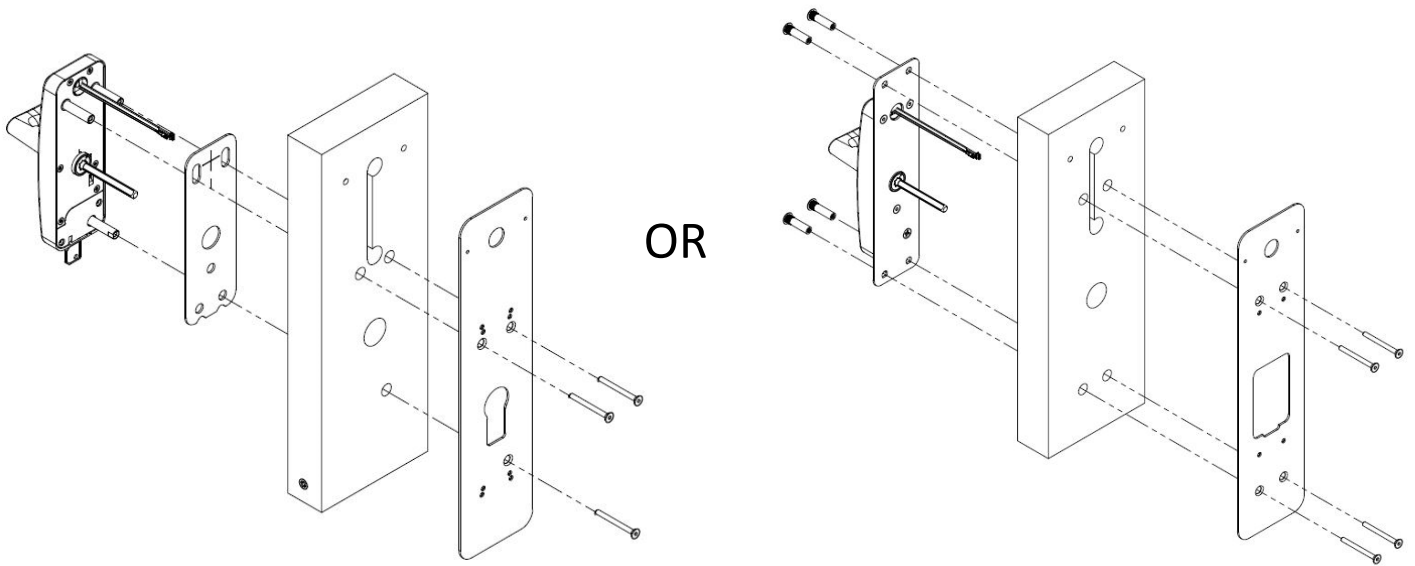
Before starting the installation of the lock on the door, please make sure the door has been prepared properly with proper holes for the lock. Refer to corresponding drilling template for your lock model. Drilling templates are available in the centerfold included in this installation manual and on the dormakaba support site ([dormakabalodgingsupport.com](http://dormakabalodgingsupport.com))

Install the housing on the door and align with the lock mechanism.

- Install the front lock housing with gasket item 19, routing the wire cable(s) by the center hole at the top & in the groove.
- Install the supplied adaptor plate and secure with 3 screw items 7.

OR

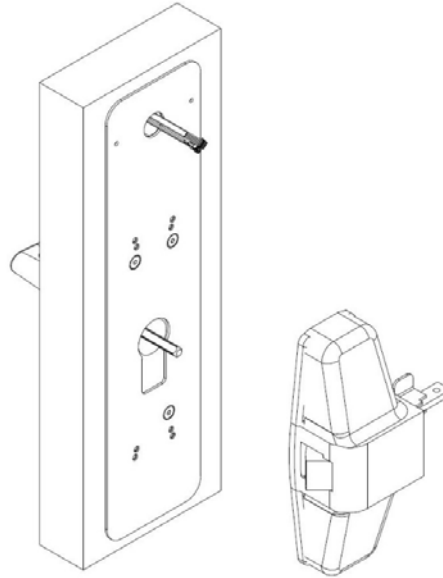
- If supplied with secondary backplate item 18, secure the housing into place using 4 binding barrels item 2 with 4 screw items 8.



## 4 Installation Steps

### 4.5. Install exit device

- Please refer to exit device manufacturer installation manual.



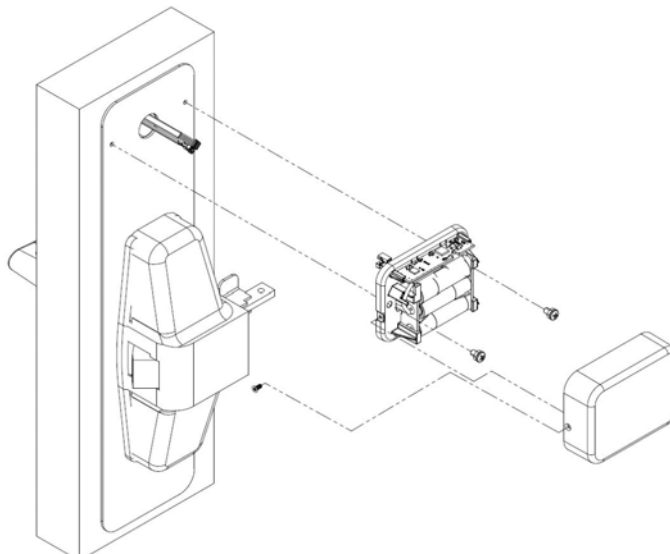
### **IMPORTANT**

**For rim and concealed mount exit devices, start with step 4.6**

**For surface mount exit devices, start with step 4.7**

### 4.6. Connect the cables & install enclosure

- Connect each cable with its matching connector and route the excess of cable back into the hole of the door.
- Secure battery enclosure with 2 screw items 19.
- Insert the batteries in the battery holder respecting the polarity indicated in the battery holder.
- Reinstall cover with setscrew



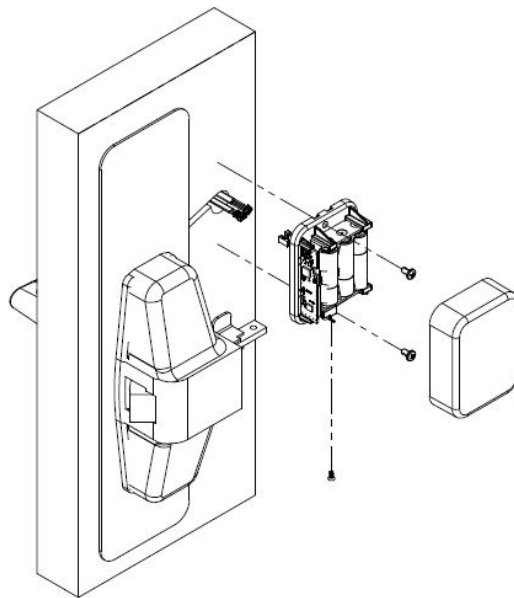
## 4.7. Connect the cables & install enclosure **(SVR ONLY)**

### IMPORTANT

All Surface vertical rods exit device require the use of DT-516418-15

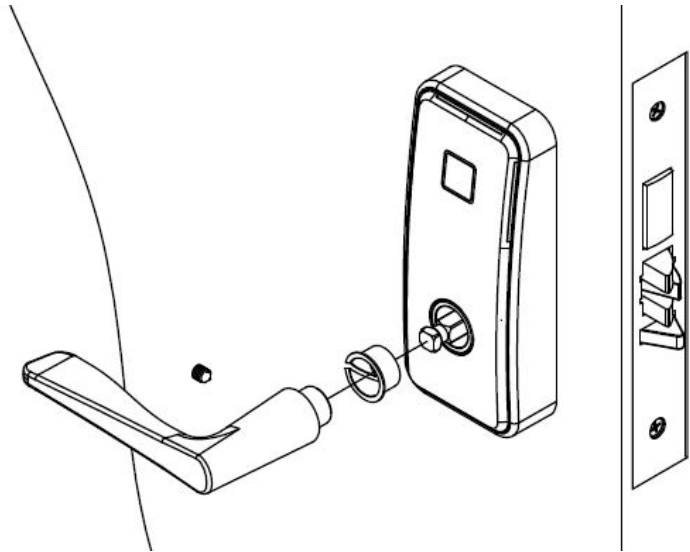
After final assembly, you must not be able to see cable groove.

- Connect each cable with its matching connector and route the excess of cable back into the hole of the door.
- Line up the enclosure in the same position as shown below with the supplied surface mount drilling template. Proceed to drill the screws into the door.
- Secure battery enclosure with 2 screw items 10
- Insert the batteries in the battery holder respecting the polarity indicated in the battery holder
- Reinstall cover with setscrew.



## 4.8. Install the outside lever handle

- Install the outside bushing item 1, making sure it is snug
- Install the outside lever handle according to the lock handing (LH/RH)
- Secure using set screw item 6.



### IMPORTANT

Use only Alkaline batteries

### 4.9. Step 9: Test lock functionality

Make sure the room door is open prior testing

- A - Present test keycard
- B - Check green & red lights flash
- C - Rotate outside lever to check bolt or rod(s) retraction
- D - Release outside lever, should move freely
- E - Push panic bar to check bolt or rod(s) retraction

### 4.13. Step 13: Program the lock

Refer to dormakaba access management system user manual for lock programming.

dormakaba

Customer Services & Support

79 Series, 770, 760, 660/660i:  
1.877.468.3555 / +1.514.340.9025

RT Series Support: 1.800.999.6213  
/ + 1.248.837.3700

E7900 Support with Enterprise  
software, 800.849.8324

E7900 Support with Aurora  
software US or Canada only  
888.539.7226

Outside of US or Canada contact  
905.430.7226

General Information:

[www.dormakaba.us](http://www.dormakaba.us)

Online Consumable Orders:  
[www.saflokstore.com](http://www.saflokstore.com)

To access all of our easy steps, please  
visit our Support Website:  
[www.kabalodgingsupport.com](http://www.kabalodgingsupport.com)