



Saffire LX™

## Installation instructions

PK3704-D - 06 - 2020

EN

dormakaba 

# Table of Contents

<b>03</b>	<b>1. Introduction and disclaimers</b>	<b>10</b>	
<b>03</b>	<b>2. Recommended Tools</b>	<b>11</b>	
<b>04</b>	<b>3. Components</b>	<b>12</b>	
<b>04</b>	3.1 DIN lock case	<b>13</b>	
<b>05</b>	<b>4. Install Steps</b>	<b>13</b>	
<b>05</b>	4.1 Step 1: Install key cylinder (for MKO only)	<b>13</b>	4.7 Step 7 Install the antenna module
<b>06</b>	4.2 Step 3: Install the lock spindle	<b>13</b>	4.8 Step 8: Connect the cables
<b>07</b>	4.3 Step 4: Set up the inside trim assembly	<b>13</b>	4.9 Step 9: Install the inside cover
<b>08</b>	4.4 Step 5: Install the locking mechanism on the door	<b>13</b>	4.10 Step 10: Install the outside lever handle
<b>09</b>	4.5 Install the DIN lock case	<b>14</b>	4.11 Step 11: Install the batteries
<b>09</b>	4.6 Step 6 Install the lock housing on the door	<b>14</b>	4.12 Step 12: Test lock functionality
			4.13 Step 13: Program the lock
			<b>Annex A-Reversing the DIN lock case handing</b>
			<b>Annex B-Changing handing of the cassette</b>
			<b>Annex C-EN 179 Saffire LX</b>

Model: Saffire LX

Caution: Changes or modifications to this equipment not expressly approved by the party responsible for compliance could void the user's authority to operate the equipment.

This device complies with part 15 of the FCC Rules. Operation is subject to the following two conditions: (1) This device may not cause harmful interference, and (2) this device must accept any interference received, including interference that may cause undesired operation. This device complies with Industry Canada's license-exempt RSSs. Operation is subject to the following two conditions: (1) This device may not cause interference; and (2) This device must accept any interference, including interference that may cause undesired operation of the device.

Le présent appareil est conforme aux CNR d'Industrie Canada applicables aux appareils radio exempts de licence. L'exploitation est autorisée aux deux conditions suivantes : (1) l'appareil ne doit pas produire de brouillage, et (2) l'utilisateur de l'appareil doit accepter tout brouillage radioélectrique subi, même si le brouillage est susceptible d'en compromettre le fonctionnement.

Made in Canada

# 1 Introduction and disclaimers

**Caution:** Please read and follow all directions carefully. Wear safety glasses when making the holes.

**Target Audience:** These instructions are designed for use by maintenance professionals or lock installers who are familiar with common safety practices and competent to perform the steps described. dormakaba is not responsible for damage or malfunction due to incorrect installation however arising.

**Important:** Carefully inspect windows, doorframe, door, etc. to ensure that the recommended procedures will not cause damage. dormakaba standard warranty does not cover damages caused by installation.

Respect applicable building codes regarding handle height.

**Definition of Terms:** In these instructions, the term ASM refers to American Standard Mortise and ADB refers to Autodead-bolt Mortise.

MKO refers to Mechanical Key Override

## Technical Assistance

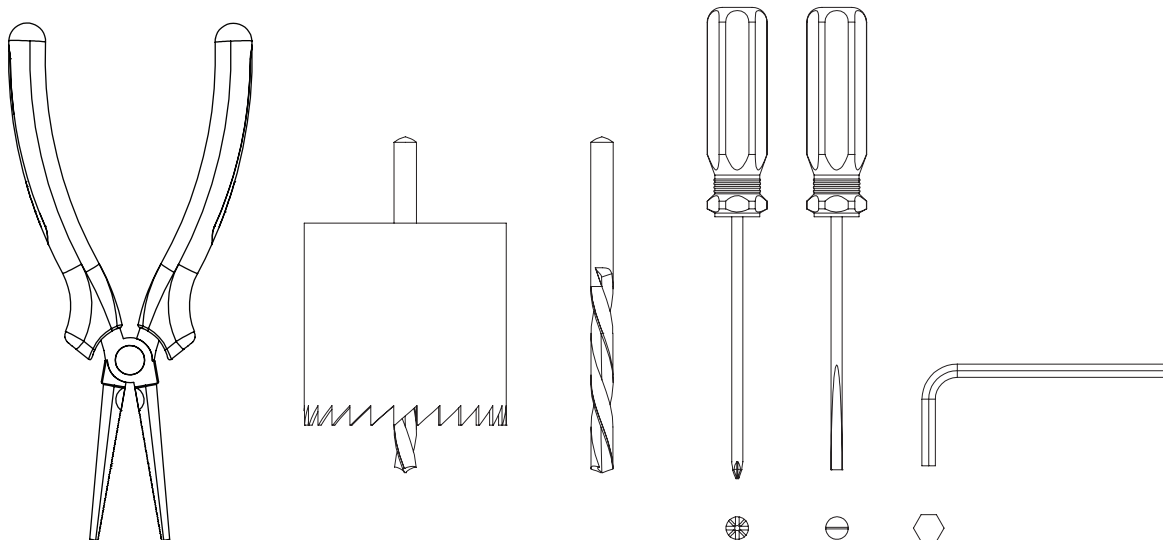
For technical assistance, call:

**1.877.468.3555 / +1.514.735 5410**

**1.800.999.6213 / +1.248.837.3700**

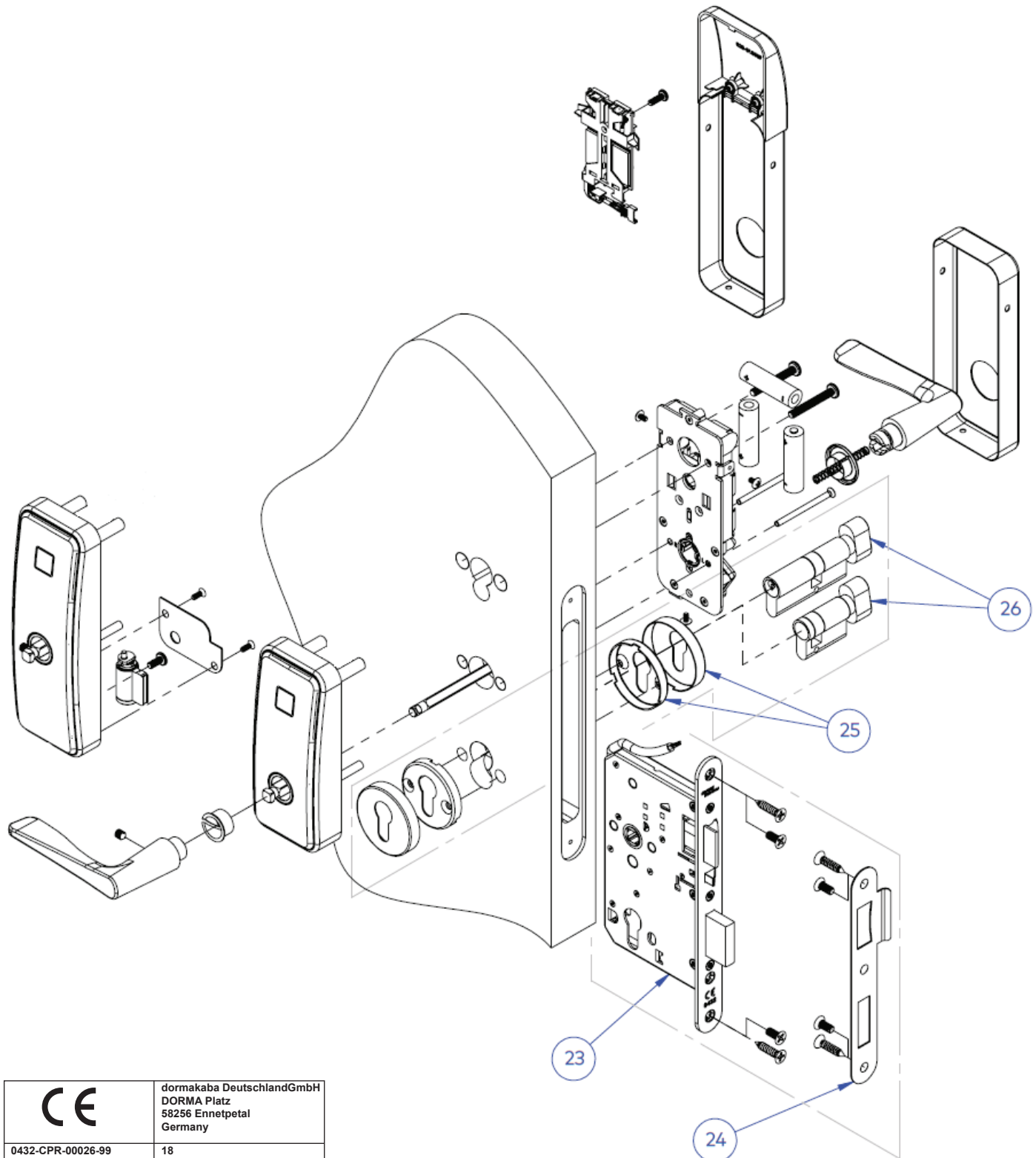
# 2 Recommended Tools (not included)


- Hole saw 2 1/8 for Cylindrical latch only
- Drill bit for European lock case: 3mm, 10 mm, 12,5 mm, 22 mm, 25 mm
- Phillips screwdriver (#2, #3)
- Small flat screwdriver
- Hexagonal key 3mm (Allen key)
- Needle nose pliers



# 3 Components

## 3.1 DIN lock case



	dormakaba Deutschland GmbH DORMA Platz 58256 Ennepetal Germany
0432-CPR-00026-99	18
EN 12209:2003/AC:2005	3X810G6HC20
None	

# 4 Installation Steps

## IMPORTANT

For MKO lock, start with step 1

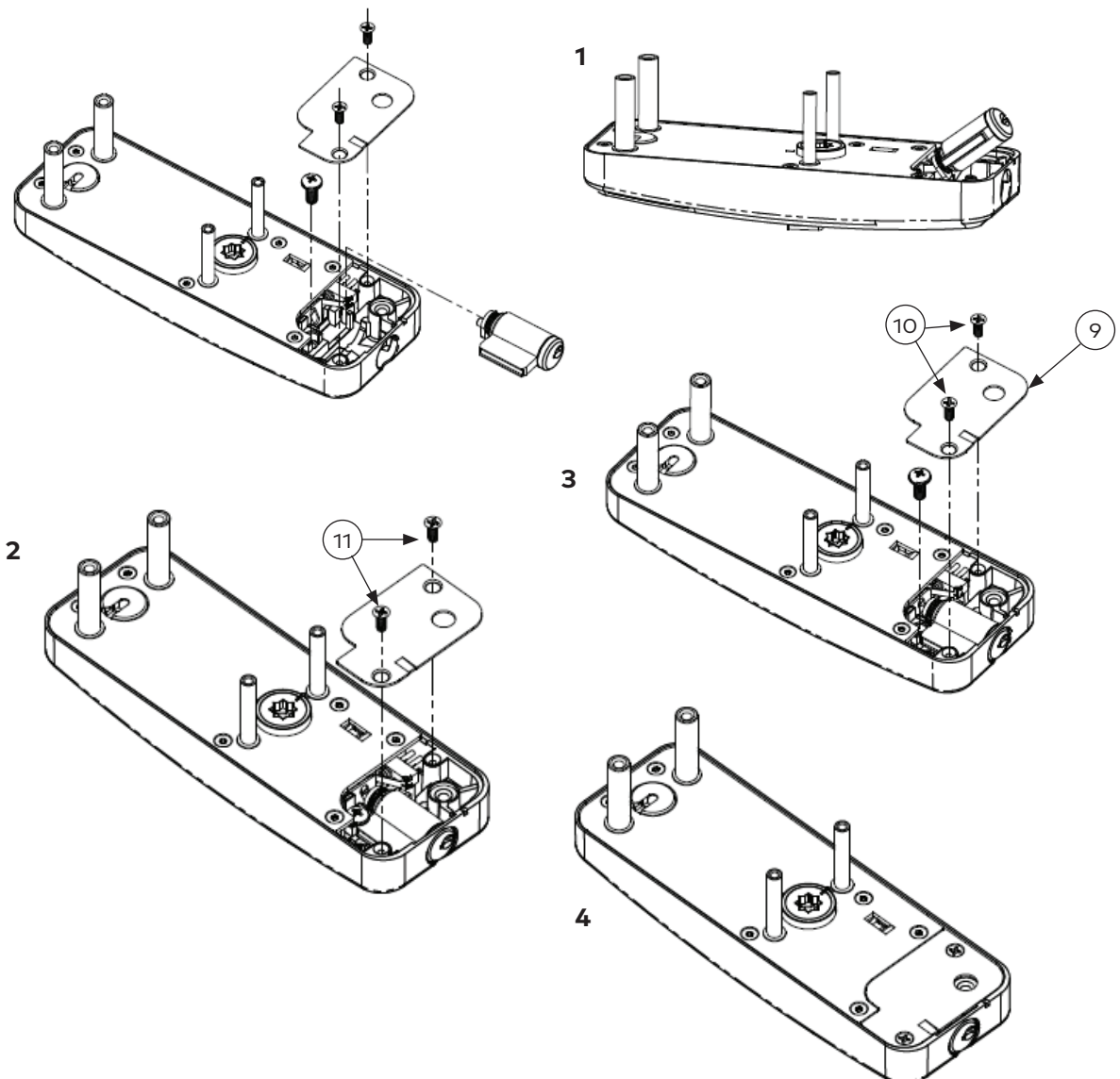
For EO lock, start with step 2

### 4.1. Step 1: Install key cylinder (for MKO only)

- Insert the cylinder core in the front lock housing assembly
- Secure the cylinder core using screw item 11
- Install the access plate key cylinder item 9 over the key override housing
- Secure the access plate using two screws item 10

## ⚠ WARNING

- Access plate must be installed for proper operation of the lock.



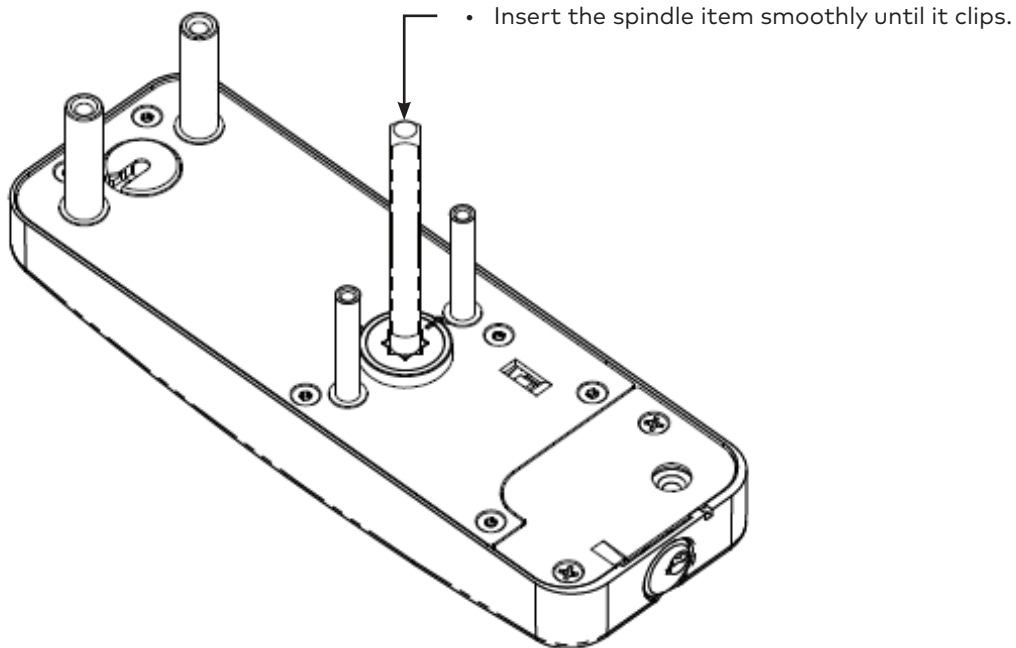
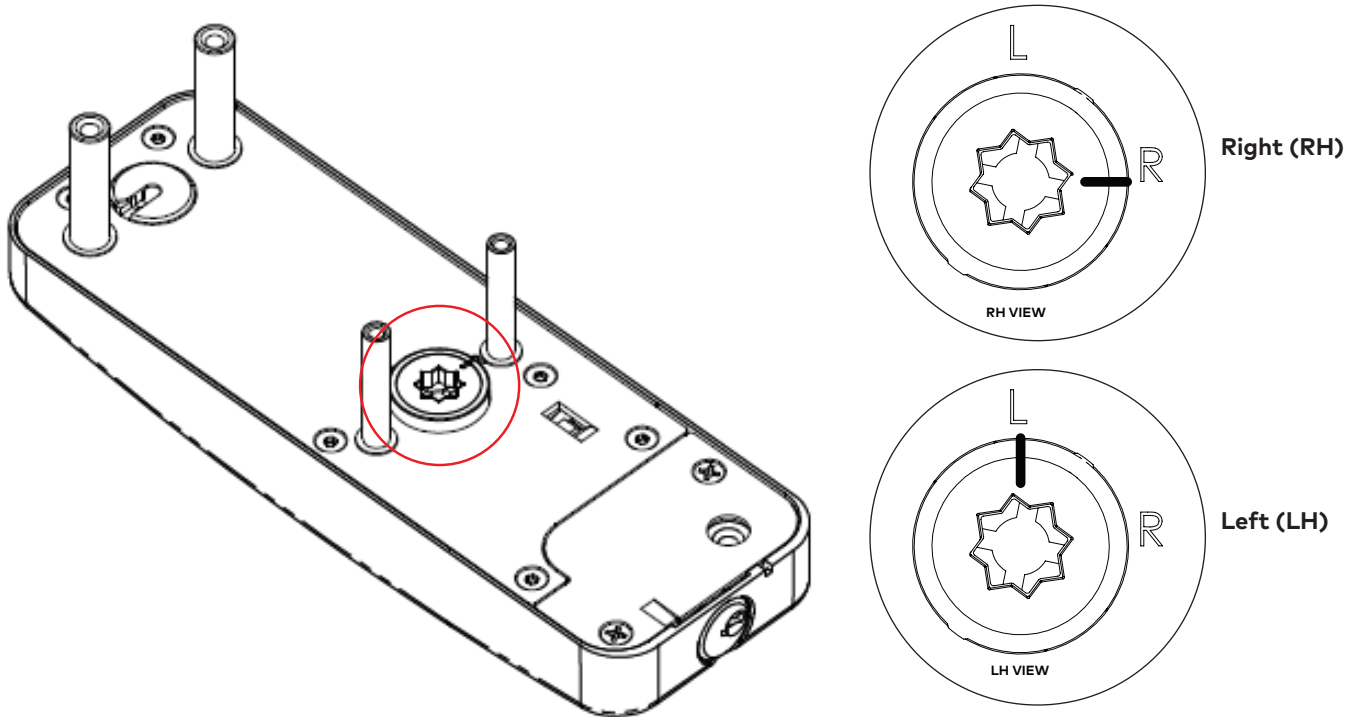
# 4 Installation Steps

## 4.2. Step 3: Install the lock spindle

The spindle must be installed and properly secured in the front lock housing assembly. The spindle is used to connect the handle to operate the opening and closing door mechanism.

Prior to installing the spindle, you must first adjust the required positioning of the hub receiving the spindle. There are 2 modes, Left Hand (LH) and Right Hand (RH) according to door handing.

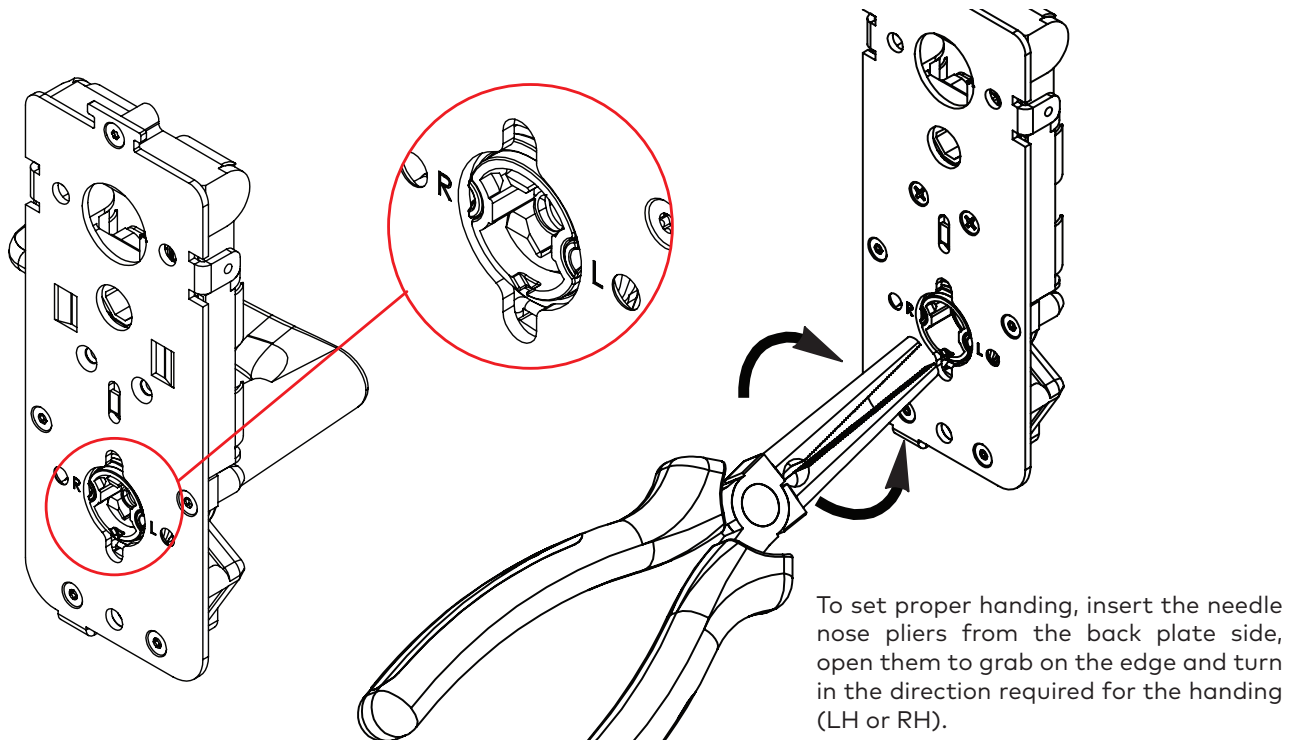
- Turn the hub for correct door handing by turning clockwise for right handed and counter clockwise for left handed door entries.



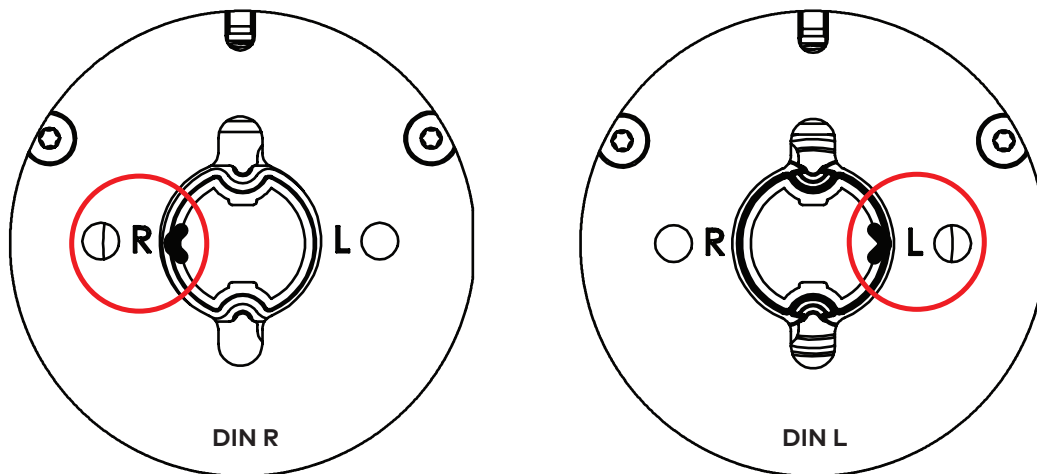
# 4 Installation Steps

## 4.3. Step 4: Set up the inside trim assembly

Decide if the lever handle is a RH or LH position based on the door handing. The inside lever handle must be installed as it does not come preinstalled.



RIGHT HAND OF LEFT HAND SELECTION



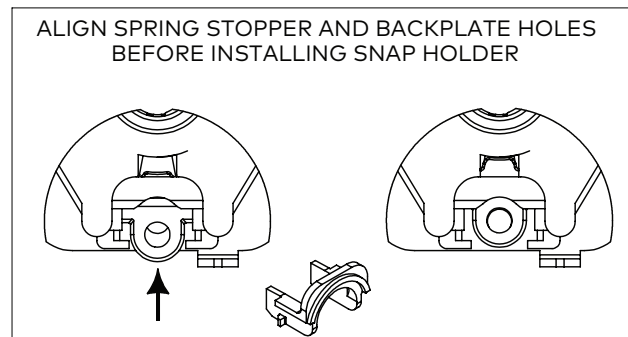
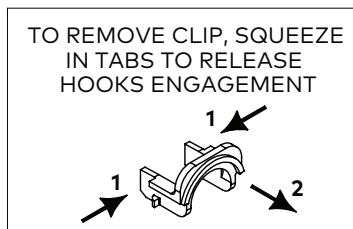
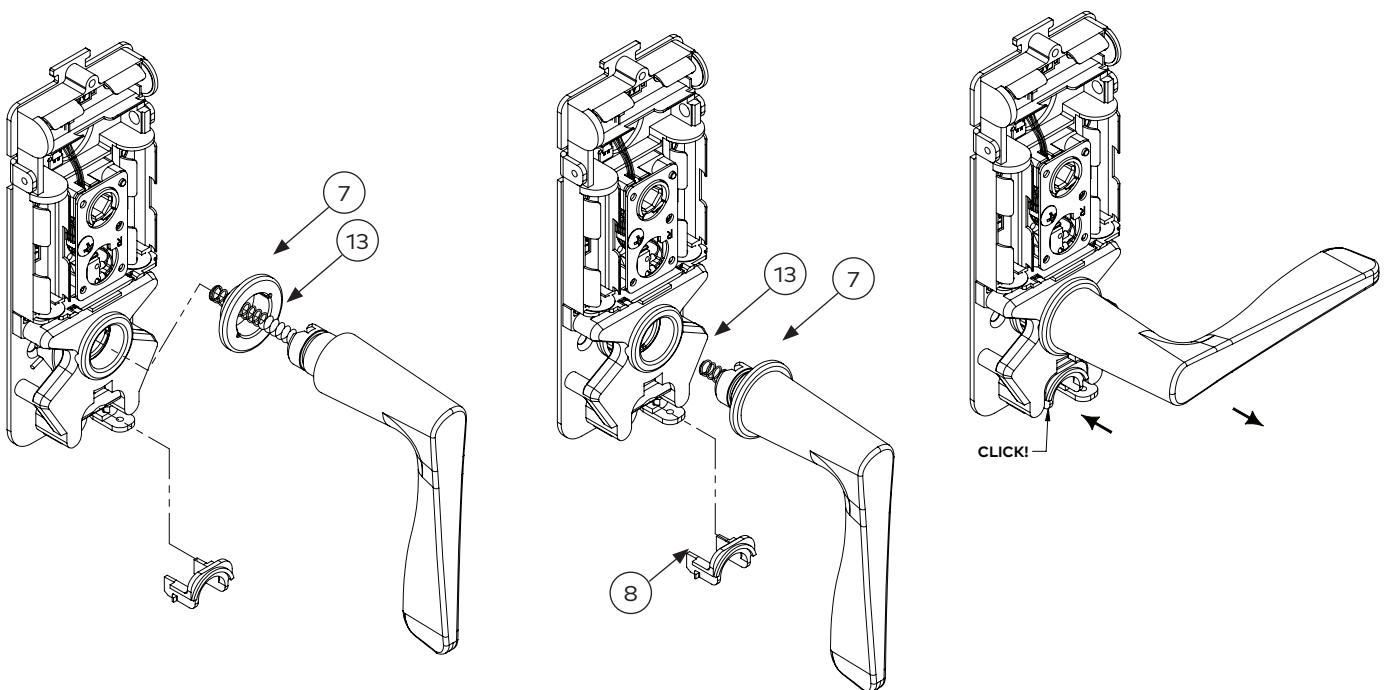
### IMPORTANT

If the handing of the lock needs to be changed, please refer to annex B for changing the handing of the cassette if the lock has a handed cassette (locks with automatic dead bolt or with inside lever switch).

## 4 Installation Steps

### 4.3. Step 4: Set up the inside trim assembly (Continued)

- Install the inside lever bushing item 7
- Install compression spring item 13 if not already inside the lever handle.
- Install the lever vertically as shown (pointing down), making sure it is snug.
- Rotate the lever handle to horizontal position corresponding to selected handing.
- Push up the spring holder to select the handing (LH or RH). The spring holder engages between the two lever spring legs.
- Install the snap-holder for spring stopper item 8 to lock and prevent lever from disengaging



### 4.4. Step 5: Install the locking mechanism on the door

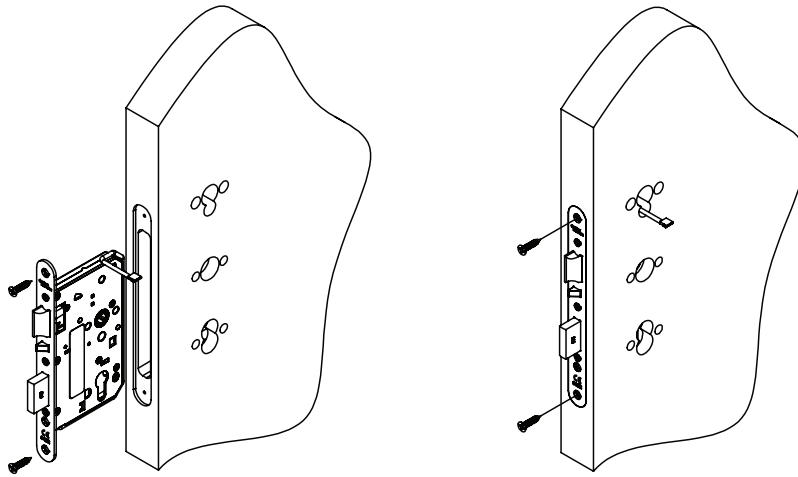
Before starting the installation of the lock on the door, please make sure the door has been prepared properly with proper holes for the lock. Refer to corresponding drilling template for your lock model. Drilling templates are available in the centerfold included in this installation manual and on the dormakaba support site ([dormakabalodgingsupport.com](http://dormakabalodgingsupport.com)).



# 4 Installation Steps

## 4.5 Install the DIN lock case

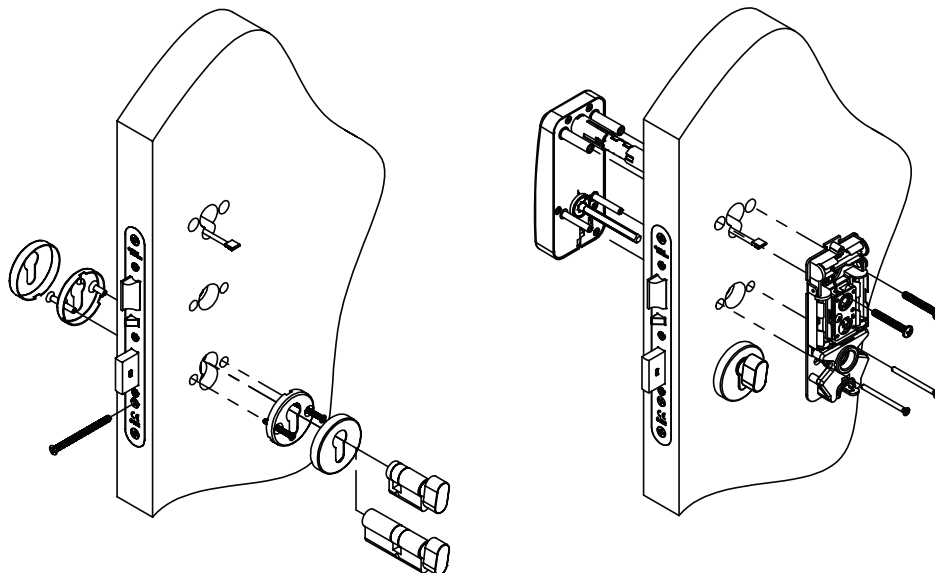
- Verify the lock case handing for LH or RH. If the handing needs to be adjusted, refer to instructions in the annex B.
- Insert the lock case in the side of the door. Route the cable so it comes out of the top hole on the side of the inside trim assembly.
- Secure the lock case using the screws provided.
- Install rose and key cylinder (if this option selected)
- Install the strike and the dust boxes on the frame of the door.



## 4.6. Step 6 Install the lock housing on the door

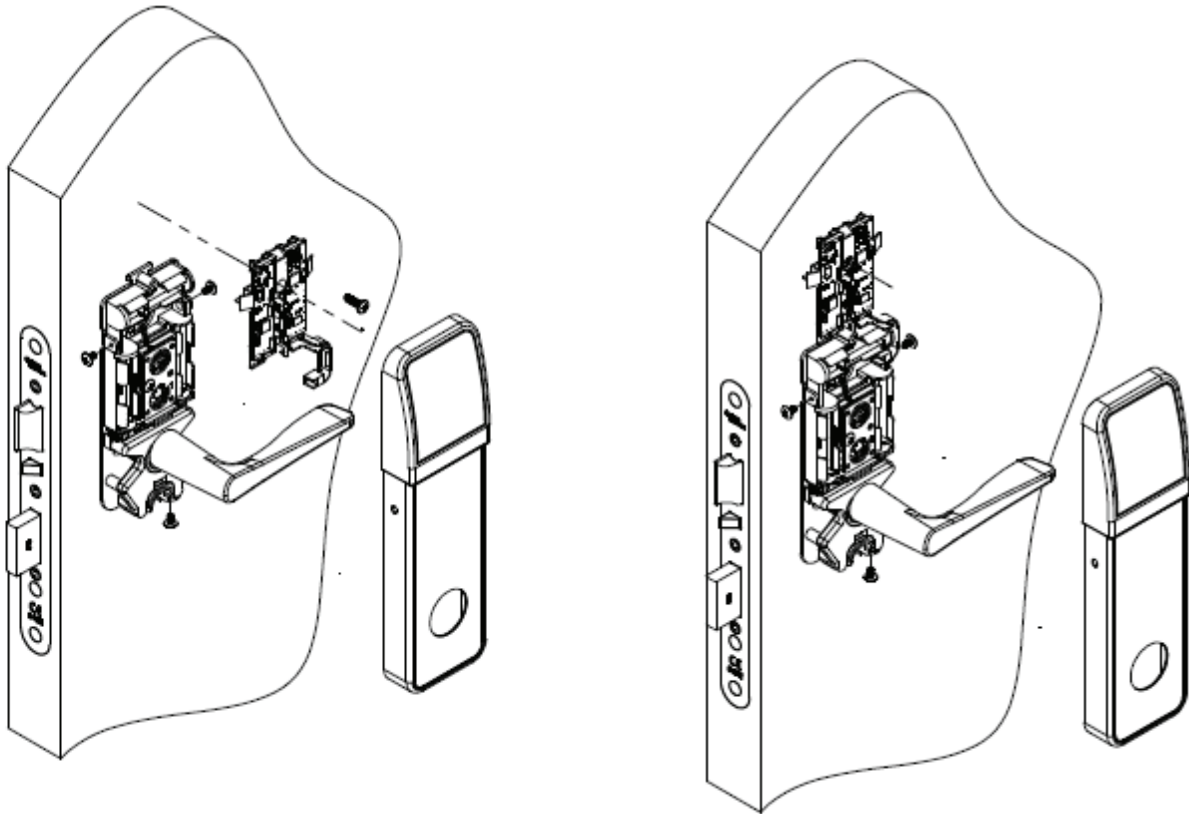
- Install the front lock housing, routing the wire cable(s) by the center hole at the top
- Install the inside housing
- Install the screws item 6 provided and tighten. Verify that the lever of the inside housing can retract the latch. If not, it means the lock handing is wrong; then fix the handing correctly and verify again.
- Verify the inside lever handle comes freely to horizontal rest position after being activated. If not, re-align lock on the door.

### DIN lock case



## 4 Installation Steps

### 4.7. Step 7: Install the antenna module (if applicable)



- Position the bracket on the door, engaged with the "T" at the top of the chassis.
- Secure the bracket with screw provided with the bracket.

# 4 Installation Steps

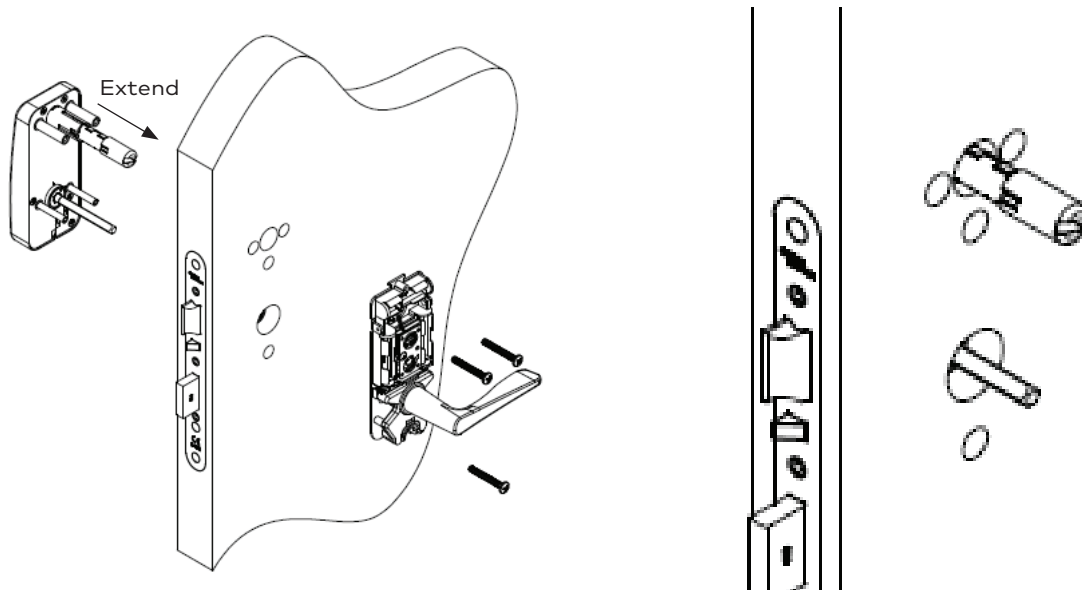
## 4.8. Step 8: Connect the cables

### Locks without wire guide

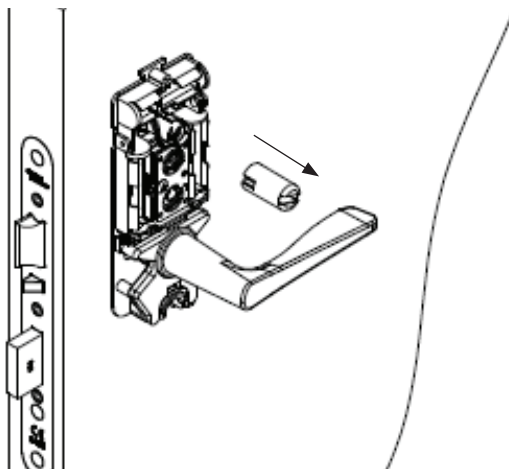
- Connect each cable with its matching connector and route the excess of cable back into the hole of the door.

### Locks with wire guide

- Before installing the lock on the door, extend the wire guide outward, without removing the cover. Pull gently and rotate clockwise to lock.
- Secure the front lock housing with the inside trim chassis using the 3 screws item 6.



- Remove the cover on the wire cover. The cover will no longer be used.

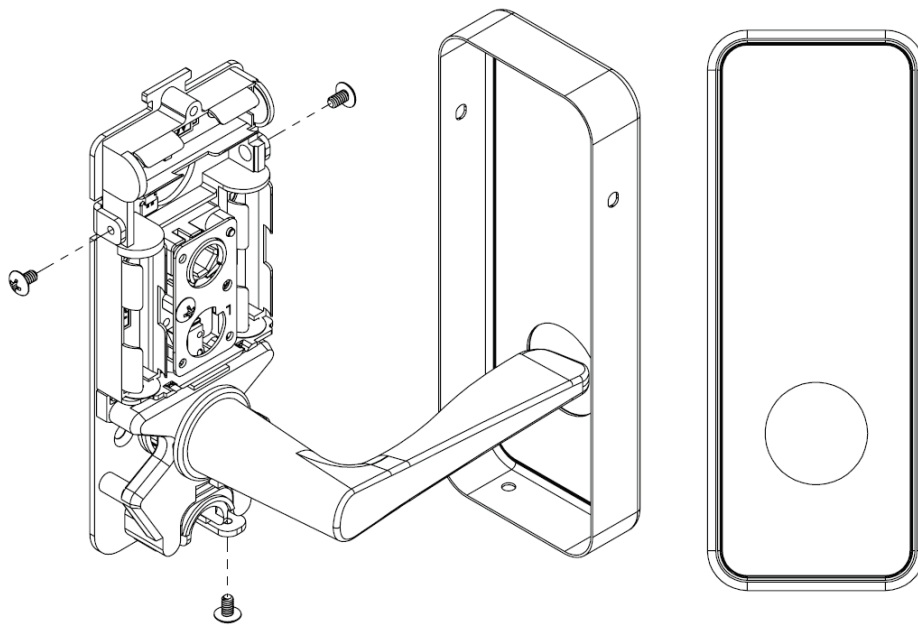


- Now that cables are exposed, connect each cable with its matching connector.
- Push back the wire guide in the door.

## 4 Installation Steps

### 4.9. Step 9: Install the inside cover

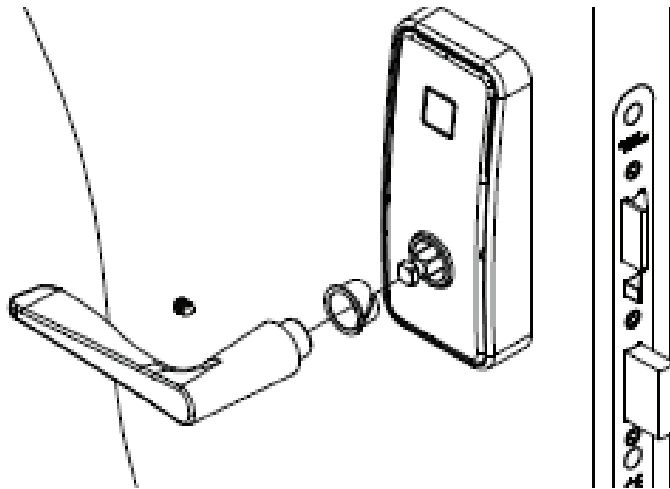
- Set the thumb turn on the inside cover to a vertical position, pointing up.
- Slide the inside cover onto the lever handle taking care not to scratch the lever handle.
- When the cover is fully in place, secure it using the 3 screws item 5.



## 4 Installation Steps

### 4.10. Step 10: Install the outside lever handle

- Install the outside bushing, making sure it is snug
- Install the outside lever handle according to the lock handing (DIN R / DIN L)
- Insert the set screw item 4 and tighten till snug



### 4.11. Step 11: Install the batteries

- Insert the batteries in the battery holder respecting the polarity indicated in the battery holder

#### **⚠ WARNING**

Use only Alkaline batteries

### 4.12. Step 12: Test lock functionality

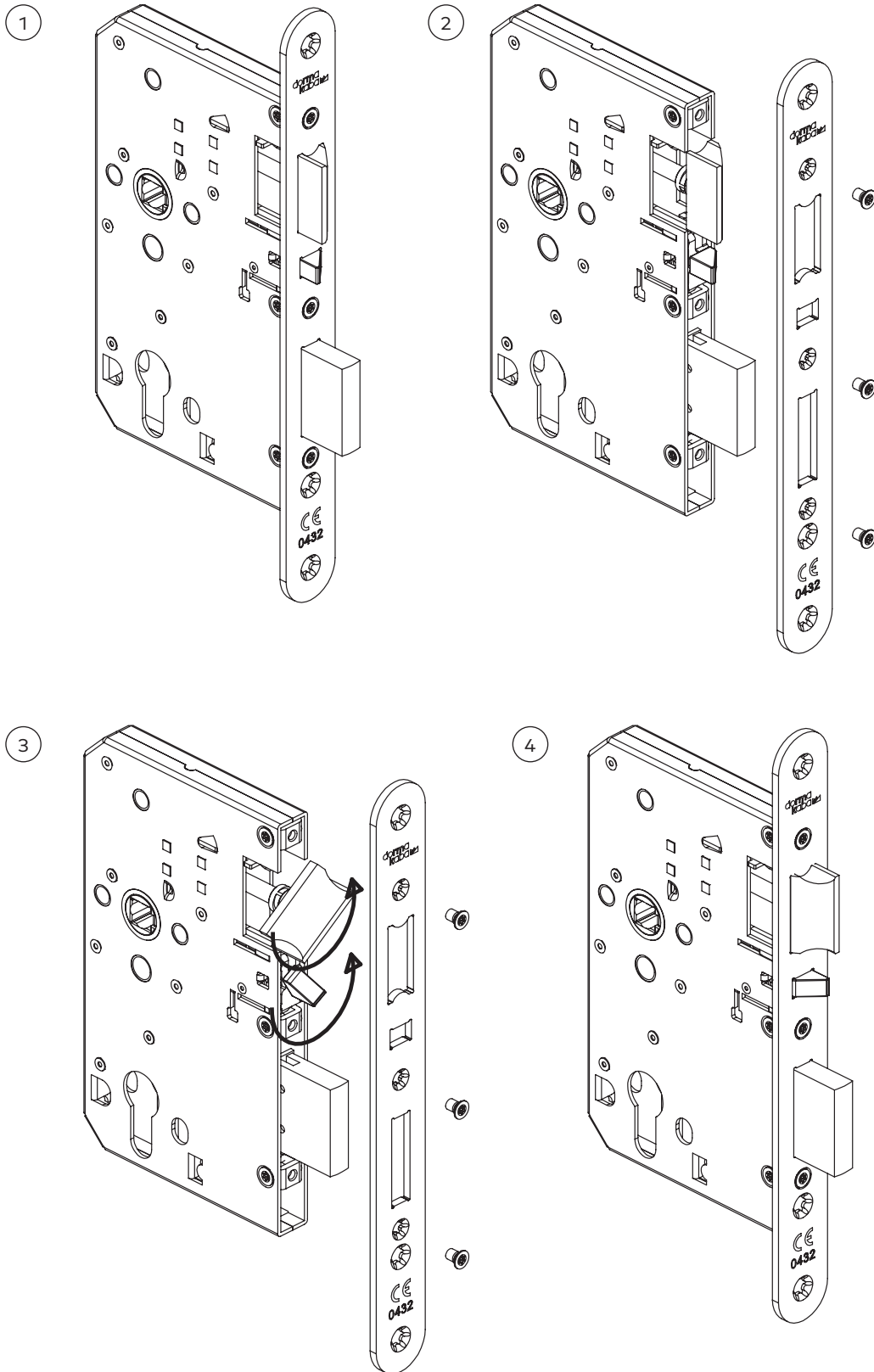
Make sure the room door is open prior testing

- A - Present test keycard
- B - Check green & red lights flash
- C - Rotate outside lever to check bolt retraction
- D - Release outside lever, should move freely back to horizontal rest position.
- E - Rotate inside lever to check bolt retraction
- F - Release inside lever, should move freely back to horizontal rest position.
- G - Check bolt projection from thumbturn, should be smooth.

### 4.13. Step 13: Program the lock

Refer to dormakaba access management system user manual for lock programming.

# Annex A Reversing the DIN lock case handing

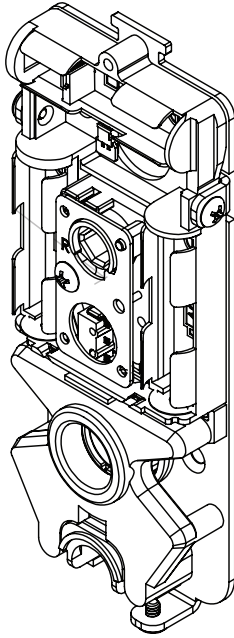


# Annex B Changing the hand of the cassette

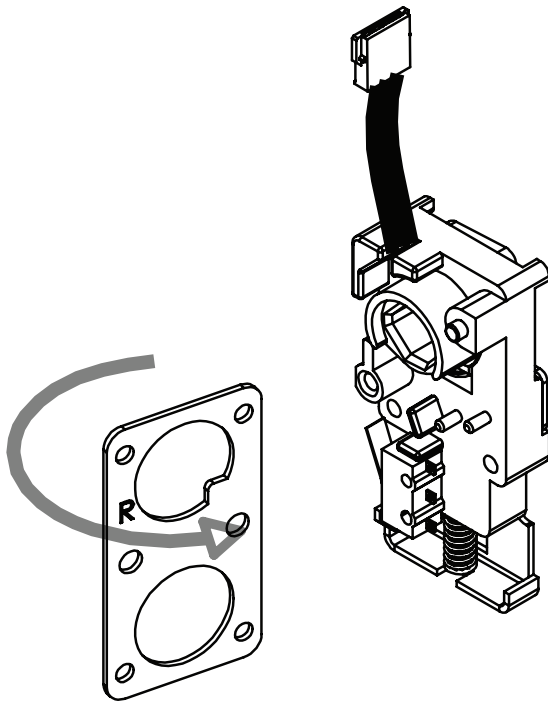
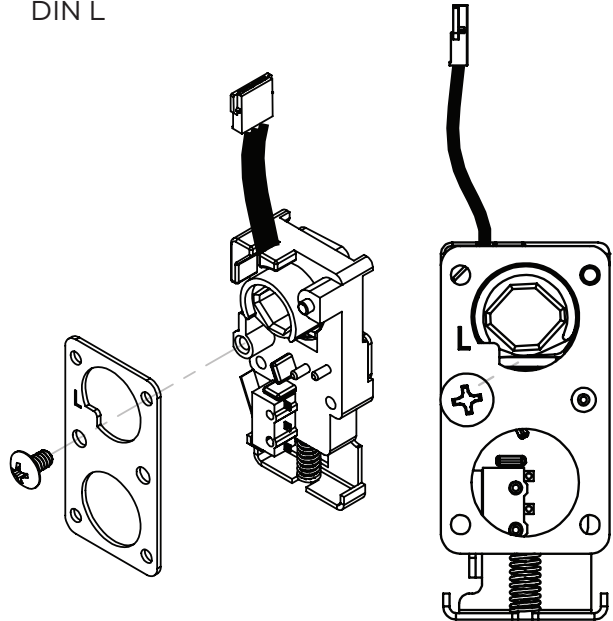
1. Flip the top plate and reinstall on the cassette. You should see now the other letter for the handing.  
Secure the top plate with the screw.

**Note:** Changing the hand of the cassette can be done before or after the lock is installed on the door.

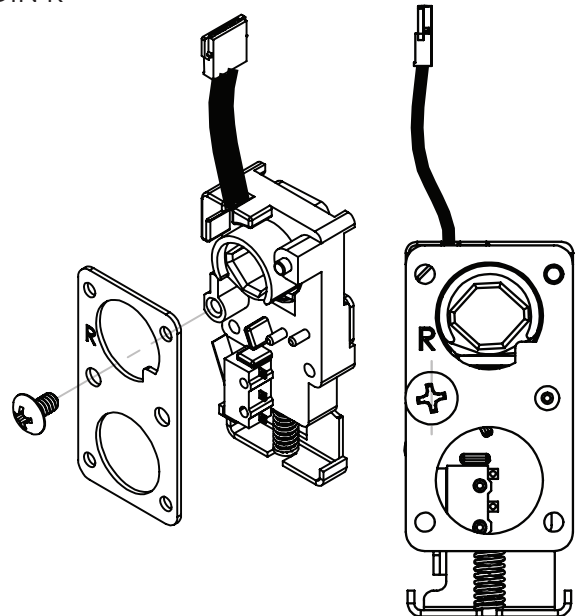
BACK UNIT CHASSIS ASSEMBLY



DIN L



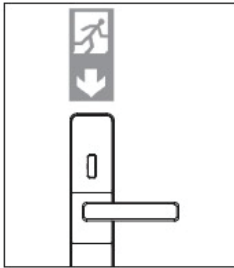
DIN R



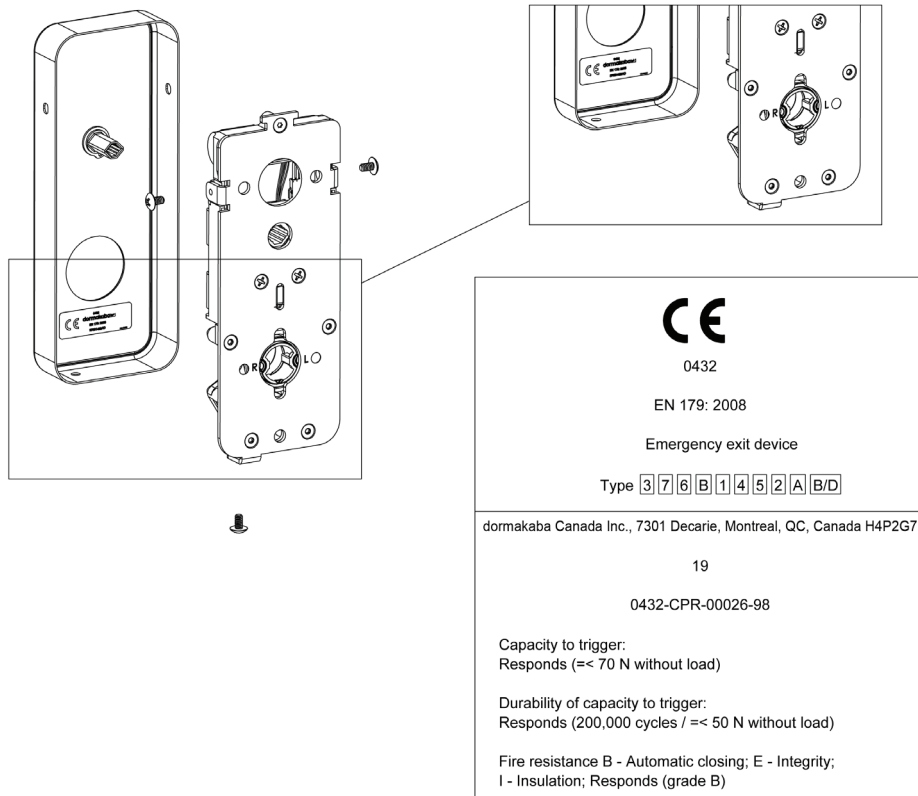
# Annex C EN 179 Saffire LX

## Emergency exit device

A pictogram for emergency exit device has to be installed on the inner-side door just above the lock as shown below.



The EN 179 identification label on the lock can be found in the location shown below, at the bottom of the inside trim cover







dormakaba

Customer services & support  
1.800.999.6213 / +1.248.837.3700

General information:  
[www.dormakaba.us](http://www.dormakaba.us)

Online consumable orders:  
[www.saflokstore.com](http://www.saflokstore.com)

To access all of our easy steps, please  
visit our support website:  
[www.dormakabalodgingsupport.com](http://www.dormakabalodgingsupport.com)