



## **DLH DLS**

Designer Lever Handle

Project door furniture  
for Widestile doors

# Table of Contents



01 DLH



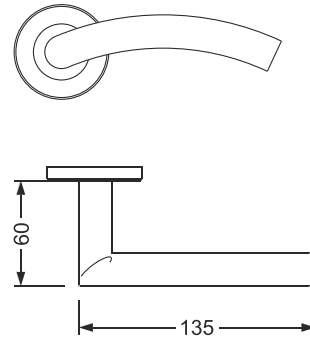
02 DLS

# DLH

## Tubular series lever handle

Inspired by design, innovation and functionality, we are pleased to present our Lever sets catalogue. The DLH tubular series excel in terms of operating reliability. Architects and designers may now be confident in selecting a quality well priced range with a distinctive design theme that will 'speak' throughout the whole project.

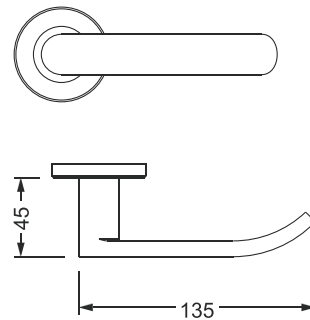
### DLH008



#### Features

- Hollow
- 8 mm spindle
- Through and through bolt fixing
- Material : SS304
- Finish : SSS/PSS/Antique brass

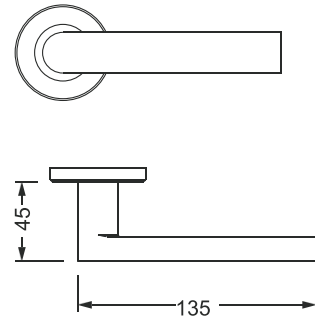
### DLH014



#### Features

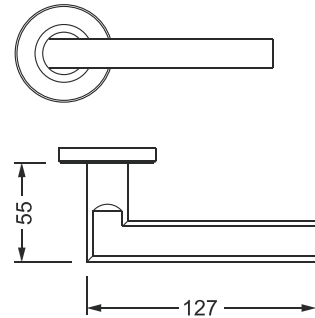
- Hollow
- 8 mm spindle
- Through and through bolt fixing
- Material : SS304
- Finish : SSS/PSS/Antique brass

## DLH015

**Features**

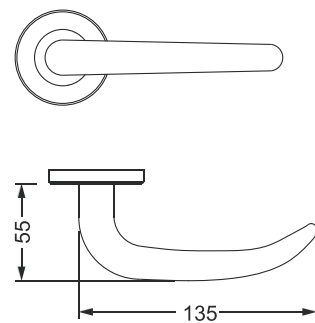
- Hollow
- 8 mm spindle
- Through and through bolt fixing
- Material : SS304
- Finish : SSS/PSS/Antique brass

## DLH020

**Features**

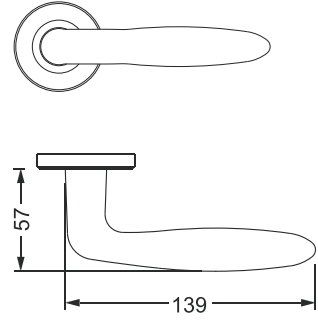
- Hollow
- 8 mm spindle
- Through and through bolt fixing
- Material : SS304
- Finish : SSS/PSS/Antique brass

## DLH022

**Features**

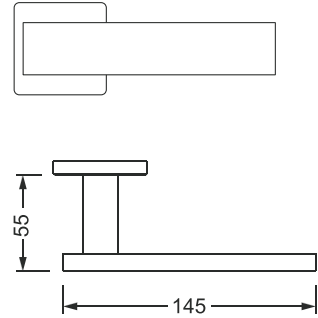
- Hollow
- 8 mm spindle
- Through and through bolt fixing
- Material : SS304
- Finish : SSS/PSS/Antique brass

## DLH023

**Features**

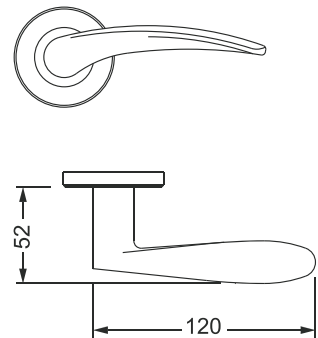
- Hollow
- 8 mm spindle
- Through and through bolt fixing
- Material : SS304
- Finish : SSS/PSS/Antique brass

## DLH029

**Features**

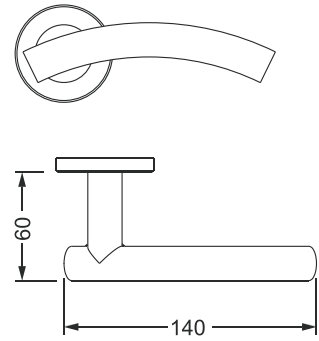
- Hollow
- 8 mm spindle
- Through and through bolt fixing
- Material : SS304
- Finish : SSS/PSS/Antique brass

## DLH005

**Features**

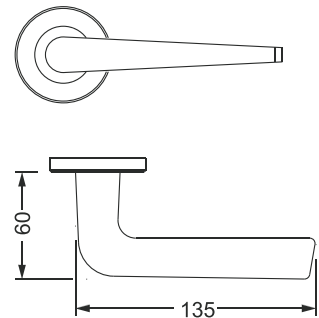
- Hollow
- 8 mm spindle
- Through and through bolt fixing
- Material : SS304
- Finish : SSS/PSS/Antique brass

DLH006

**Features**

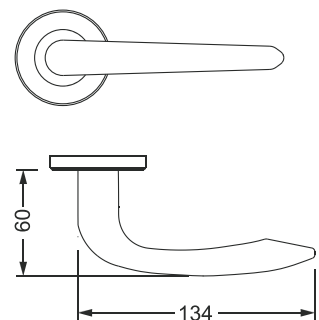
- Hollow
- 8 mm spindle
- Through and through bolt fixing
- Material : SS304
- Finish : SSS/PSS/Antique brass

DLH016

**Features**

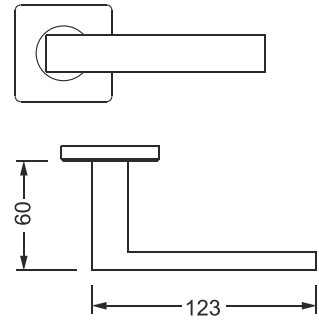
- Hollow
- 8 mm spindle
- Through and through bolt fixing
- Material : SS304
- Finish : SSS/PSS/Antique brass

DLH021

**Features**

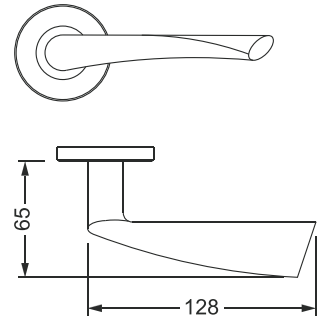
- Hollow
- 8 mm spindle
- Through and through bolt fixing
- Material : SS304
- Finish : SSS/PSS/Antique brass

## DLH028

**Features**

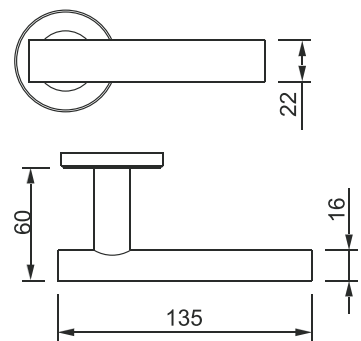
- Hollow
- 8 mm spindle
- Through and through bolt fixing
- Material : SS304
- Finish : SSS/PSS/Antique brass

## DLH031

**Features**

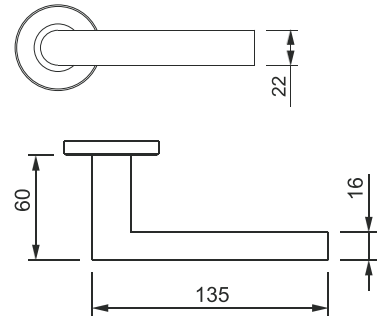
- Hollow
- 8 mm spindle
- Through and through bolt fixing
- Material : SS304
- Finish : SSS/PSS/Antique brass

## DLH035

**Features**

- Hollow
- 8 mm spindle
- Through and through bolt fixing
- Material : SS304
- Finish : SSS/PSS/Antique brass

DLH036

**Features**

- Hollow
- 8 mm spindle
- Through and through bolt fixing
- Material : SS304
- Finish : SSS/PSS/Antique brass



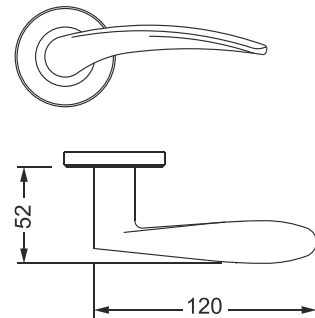


# DLS

## Solid series lever handle

Inspired by design, innovation and functionality, we are pleased to present our Lever sets catalogue. The DLS solid series excel in terms of operating reliability. Architects and designers may now be confident in selecting a quality well priced range with a distinctive design theme that will 'speak' throughout the whole project.

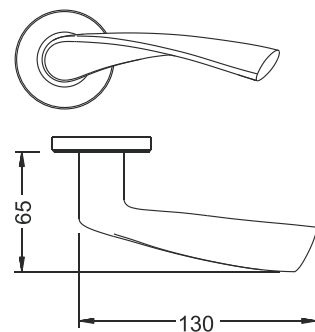
### DLS101



#### Features

- Solid
- 8 mm spindle
- Through and through bolt fixing
- Material : SS304
- Finish : SSS/PSS/Antique brass

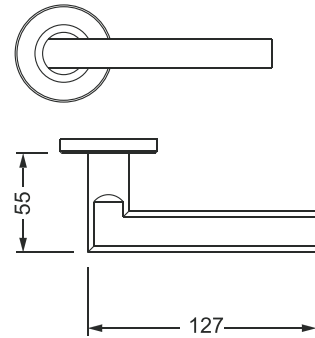
### DLS102



#### Features

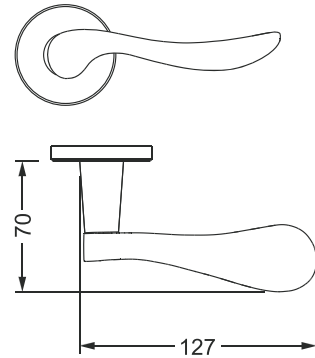
- Solid
- 8 mm spindle
- Through and through bolt fixing
- Material : SS304
- Finish : SSS/PSS/Antique brass

DLS119

**Features**

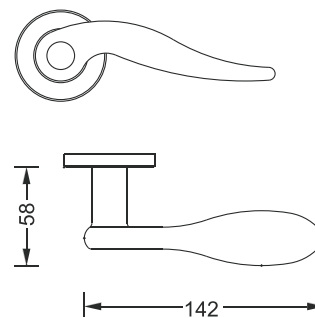
- Solid
- 8 mm spindle
- Through and through bolt fixing
- Material : SS304
- Finish : SSS/PSS/Antique brass

DLS143

**Features**

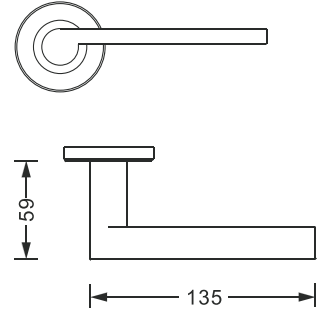
- Solid
- 8 mm spindle
- Through and through bolt fixing
- Material : SS304
- Finish : SSS/PSS/Antique brass

DLS158

**Features**

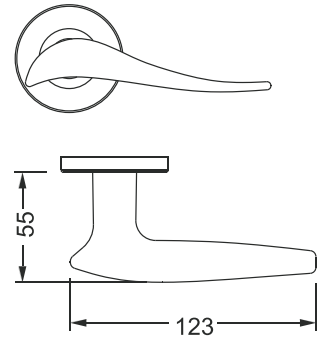
- Solid
- 8 mm spindle
- Through and through bolt fixing
- Material : SS304
- Finish : SSS/PSS/Antique brass

## DLS169

**Features**

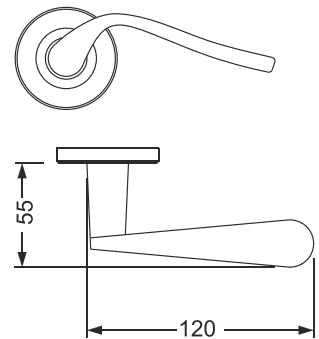
- Solid
- 8 mm spindle
- Through and through bolt fixing
- Material : SS304
- Finish : SSS/PSS/Antique brass

## DLS103

**Features**

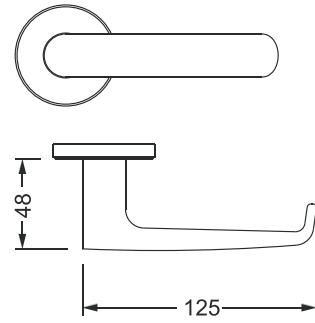
- Solid
- 8 mm spindle
- Through and through bolt fixing
- Material : SS304
- Finish : SSS/PSS/Antique brass

## DLS106

**Features**

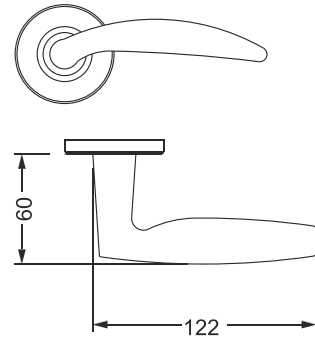
- Solid
- 8 mm spindle
- Through and through bolt fixing
- Material : SS304
- Finish : SSS/PSS/Antique brass

DLS111

**Features**

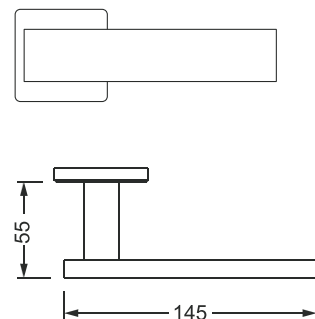
- Solid
- 8 mm spindle
- Through and through bolt fixing
- Material : SS304
- Finish : SSS/PSS/Antique brass

DLS113

**Features**

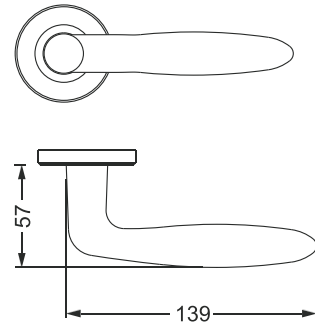
- Solid
- 8 mm spindle
- Through and through bolt fixing
- Material : SS304
- Finish : SSS/PSS/Antique brass

DLS116

**Features**

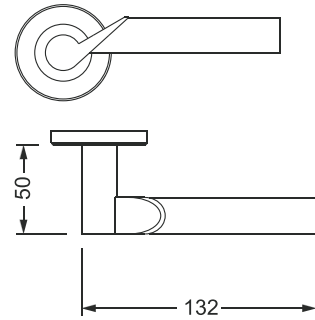
- Solid
- 8 mm spindle
- Through and through bolt fixing
- Material : SS304
- Finish : SSS/PSS/Antique brass

## DLS120

**Features**

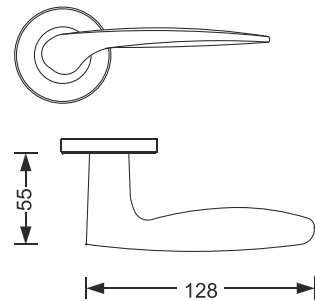
- Solid
- 8 mm spindle
- Through and through bolt fixing
- Material : SS304
- Finish : SSS/PSS/Antique brass

## DLS121

**Features**

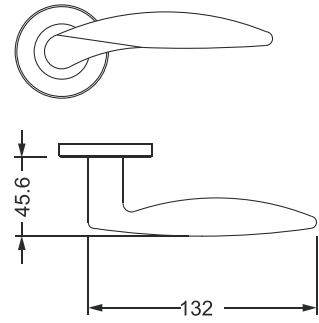
- Solid
- 8 mm spindle
- Through and through bolt fixing
- Material : SS304
- Finish : SSS/PSS/Antique brass

## DLS134

**Features**

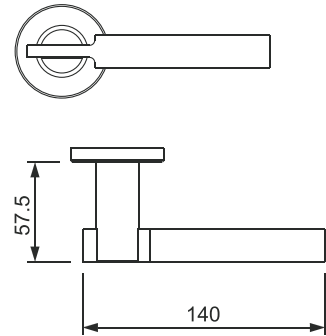
- Solid
- 8 mm spindle
- Through and through bolt fixing
- Material : SS304
- Finish : SSS/PSS/Antique brass

DLS137

**Features**

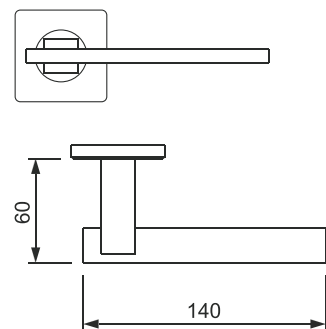
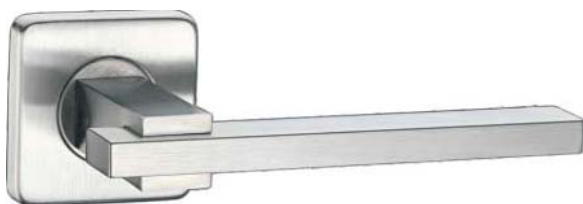
- Solid
- 8 mm spindle
- Through and through bolt fixing
- Material : SS304
- Finish : SSS/PSS/Antique brass

DLS162

**Features**

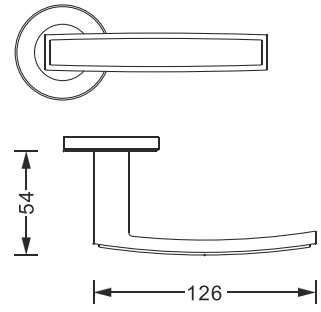
- Solid
- 8 mm spindle
- Through and through bolt fixing
- Material : SS304
- Finish : SSS/PSS/Antique brass

DLS167

**Features**

- Solid
- 8 mm spindle
- Through and through bolt fixing
- Material : SS304
- Finish : SSS/PSS/Antique brass

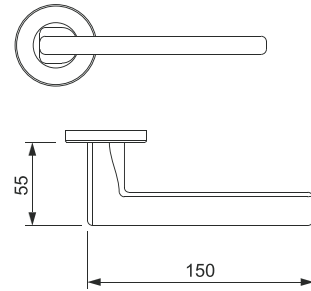
DLS170



**Features**

- Solid
- 8 mm spindle
- Through and through bolt fixing
- Material : SS304
- Finish : SSS/PSS/Antique brass

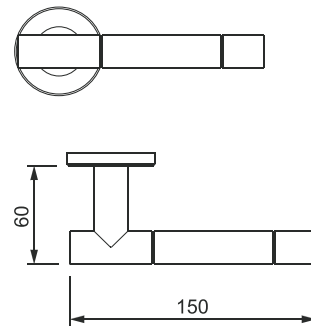
DLS175



**Features**

- Solid
- 8 mm spindle
- Through and through bolt fixing
- Material : SS304
- Finish : SSS/PSS/Antique brass

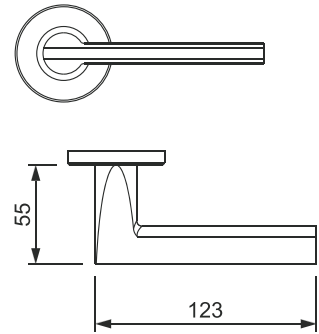
DLS178



**Features**

- Solid
- 8 mm spindle
- Through and through bolt fixing
- Material : SS304
- Finish : SSS/PSS/Antique brass

DLS179



**Features**

- Solid
- 8 mm spindle
- Through and through bolt fixing
- Material : SS304
- Finish : SSS/PSS/Antique brass





Certified Business Partner:

**Leadingway Ventures (Pvt) Ltd.**

No. 92/3, Colombo Road  
Katuawala, Boralesgamuwa  
Sri Lanka Tel: +94 115288856-8  
info@leadingway.lk  
www.leadingway.lk

dormakaba India Private Limited  
Plot No. 48/3, Mahindra World City  
8th Avenue, Anjur Village  
Chengalpattu Taluk  
Kancheepuram District  
Tamil Nadu 603 002. INDIA  
T +91 44 67 400 200  
www.dormakaba.com/in-en