

DORMA Automatics, Inc  
 924 Sherwood Drive 60044  
 Lake Bluff, Illinois  
 Toll Free: (877)-367-6211  
 Fax: (877)-423-7999

THE STANDARD PACKAGE CONSISTS OF:  
 THE AUTOMATIC DOOR OPERATOR & HOUSING,  
 FRAMES, DOORS, SIDELITES WITH VERTICAL  
 AND HORIZONTAL WEATHERSTRIP, EMERGENCY  
 BREAKAWAY, 2-POINT LOCKING, CONCEALED  
 CONTROL PANEL (OFF, AUTO, HOLD-OPEN,  
 REDUCED OPENING, EXIT ONLY ACTIVATION)

STANDARD FINISHES: CLEAR BHMA 204  
 DARK BRONZE BHMA 313  
 SPECIAL FINISHES ARE AVAILABLE

DRAWING DIMENSIONS ARE IN ENGLISH AND  
 METRIC UNITS. METRICS ARE SHOWN IN  
 MILLIMETERS, AS FOLLOWS: 1" (25.4)

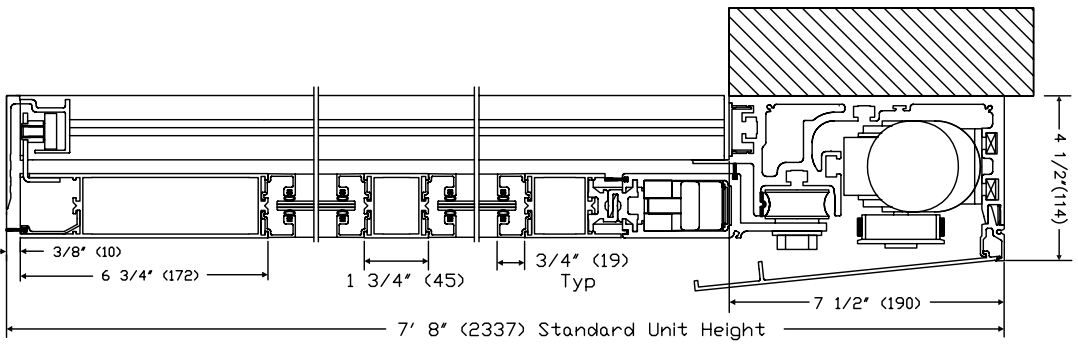
FOR MAXIMUM CURRENT DRAW, SEE  
 PRODUCT SPECIFICATION OR  
 INSTALLATION INSTRUCTIONS.

REFER TO APPLICABLE LOCAL, STATE OR  
 NATIONAL BUILDING CODE FOR MINIMUM DOOR  
 HEIGHTS AND WIDTHS FOR ALLOWABLE EGRESS  
 REQUIREMENTS. SEE REFERENCE TABLE BELOW.

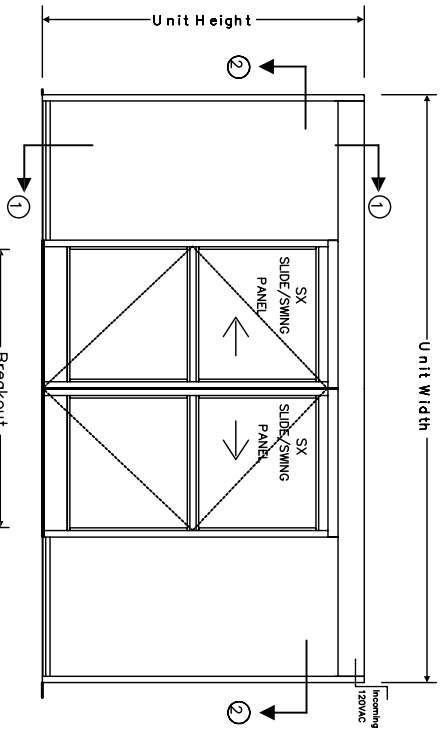
STANDARD PACKAGE SIZES

STANDARD UNIT SIZE WIDTH	HEIGHT	MAXIMUM SLIDE OPENING	OPENING WIDTH
8'-0" (2438)	7'-8" (2337)	36" (914)	44" (1118)
9'-0" (2743)	7'-8" (2337)	42" (1067)	50" (1270)
10'-0" (3048)	7'-8" (2337)	48" (1219)	56" (1422)
12'-0" (3658)	7'-8" (2337)	60" (1524)	68" (1727)
14'-0" (4267)	7'-8" (2337)	72" (1829)	80" (2032)
16'-0" (4877)	7'-8" (2337)	84" (2134)	92" (2337)

\* Note: Dimensions in ( ) are mm.

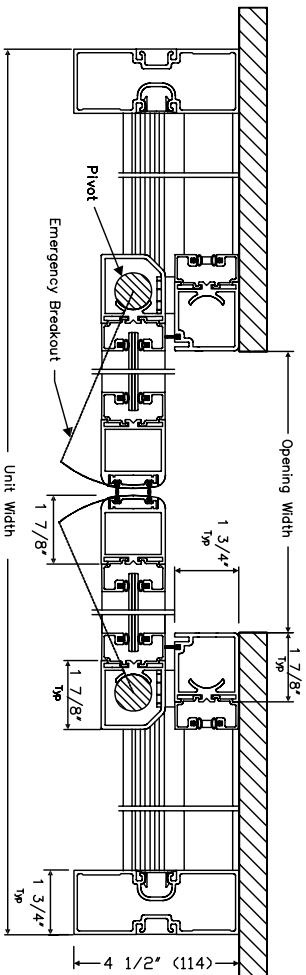


SECTION 1 TYPE P-SX-SX-P  
 Door Shown in Open Position



ELEVATION/PLAN

TYPE P-SX-SX-P



SECTION 2

TYPE P-SX-SX-P

AUTOMATIC SLIDING DOOR  
 ESA-200 SERIES  
 TYPE P-SX-SX-P  
 Narrow Sill  
 12/05

